

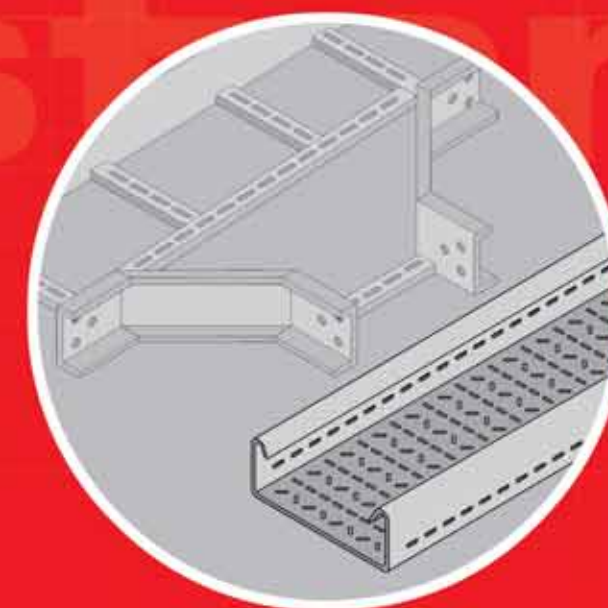
# TMI

TECHNICAL METAL INDUSTRIAL CO. L.L.C.

# Cable Management Systems



ED 01 - M/Y 11/05



## TMI

شركة تصنيع المعادن الفنية ذ.م.م  
TECHNICAL METAL INDUSTRIAL CO. L.L.C.

هاتف: ٢ ٥٥١٥٠٢٢ - فاكس: ٢ ٥٥١٥٠٣٣ - ٩٧١  
 ص.ب: ٤١٥٥٨ - أبوظبي - الإمارات العربية المتحدة  
 هاتف: ٤ ٣٤٧١٠٠٧ - فاكس: ٤ ٣٤٧١٥٨٥ - ٩٧١  
 ص.ب: ٨١٠٢٩ - دبي - الإمارات العربية المتحدة  
 Tel.: +971 2 5515022 - Fax: +971 2 5515033  
 P.O. Box: 41558 - Abu Dhabi - U.A.E.  
 Tel.: +971 4 3476007 - Fax: +971 4 3476585  
 P.O. Box: 86029 - Dubai - U.A.E.  
 E-mail: tmi@tmico.ae  
 Website: www.tmi-co.com

IMAGE ACP - 02 6265800

**Cable Management Systems**

# CABLE MANAGEMENT SYSTEMS

TMI

*TMI*

شركة تصنيع المعادن الفنية ذ.م.م

TECHNICAL METAL INDUSTRIAL CO.L.L.C.

هاتف: ٢٢ ٥٥١٥٠٢٢ +٩٧١ - فاكس: ٢٣ ٥٥١٥٠٣٣ +٩٧١ - ص.ب: ٤١٥٥٨ - أبوظبي - الإمارات العربية المتحدة  
هاتف: ٧ ٣٤٧١٠٠٧ +٩٧١ - فاكس: ٤ ٣٤٧١٥٨٥ +٩٧١ - ص.ب: ٨١٠٢٩ - دبي - الإمارات العربية المتحدة  
Tel.: +971 2 5515022 - Fax: +971 2 5515033 - P.O.Box: 41558 - Abu Dhabi - U.A.E.  
Tel.: +971 4 3476007 - Fax: +971 4 3476585 - P.O.Box: 86029 - Dubai - U.A.E.  
E-mail: tmi@tmico.ae - website: www.tmi.co.com

# INTRODUCTION

Cable management systems including cable trays and cable ladders came of age in the mid-40s. They were used to support the new armored shielded power cables that were permitted outside the conduit environment. Utilities and industrial companies initiated the use of mesh and solid trough-style trays for supporting power and control cable. Cable trays quickly proved their worth as a safe, dependable and cost-effective solution to routing and supporting cables. Early on the need for standardization was recognized and NEMA VE-1 metal cable tray standard was published in the early 60's. NEMA VE-1 has been updated many times; TMI cable trays conform to all NEMA VE-1 standards referring to definitions of cable trays, fittings, connectors and accessories.

TMI known success over the years can be traced to provide more than just quality cable tray on time. It relates directly to the years of application know-how of TMI sales representatives and factory specialists, and the personal attention given to each customer's needs. Whether it's a simple, in-stock system requiring only a run of only a few sections or a complete cable routing system requiring thousands, TMI is prepared to help you design a system that matches your application requirements.

TMI believes in prompt delivery and highest product value to its customers. Our service excellence comes from our committed investment on complete in-house manufacturing and computer systems.

## Technical Specification:

Material	According to standard
Mild Steel	Mild Steel: BS EN 10149-3
Galvanized Steel	BS EN 10142:1991 Fe PO2G Z275, BS EN 10143: 1993 (ASTM A653 Galvanized Steel Sheets).
Stainless Steel	BS 1449: Part2: 1983, Grade 304S15 (ASTM A 240M - 98M IN 204 2B Finish)
Finish	Pre-Galvanized to ASTM A525 and hot dip Galvanized to BS 729 / ASTM A123.
Epoxy Coating	SS249 or as per manufacturer standard

# CONTENTS

6

Cable Trays Systems

- 6 ♦ Cable Trays Systems
- 8 ♦ Cable Trays Loading Diagram
- 8 ♦ Cable Trays Fittings
- 12 ♦ Cable Trays Covers
- 12 ♦ Cable Trays Accessories & Connectors

14

Cable Ladder Systems

- 14 ♦ Cable Ladders Systems
- 15 ♦ Rails Assembly
- 16 ♦ Cable Ladders Loading Diagram
- 16 ♦ Cable Ladders Fittings
- 20 ♦ Cable Ladders Covers
- 20 ♦ Cable Ladders Accessories & Connectors

22

Cable Trunking Systems

- 22 ♦ Cable Trunking Systems
- 24 ♦ Cable Trunking Fittings
- 25 ♦ Cable Trunking Accessories & Connectors

26

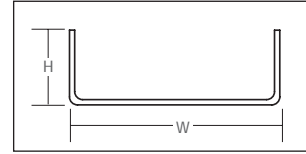
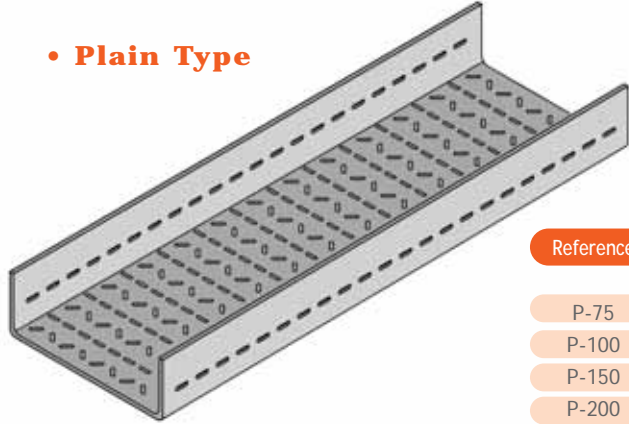
Metal Framing Systems

- 26 ♦ Metal Framing Systems
- 28 ♦ Post Bases & I-Beam Support
- 29 ♦ Struts Fittings
- 31 ♦ Support System Fasteners

### Cable Trays Systems:

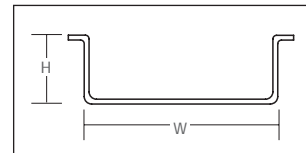
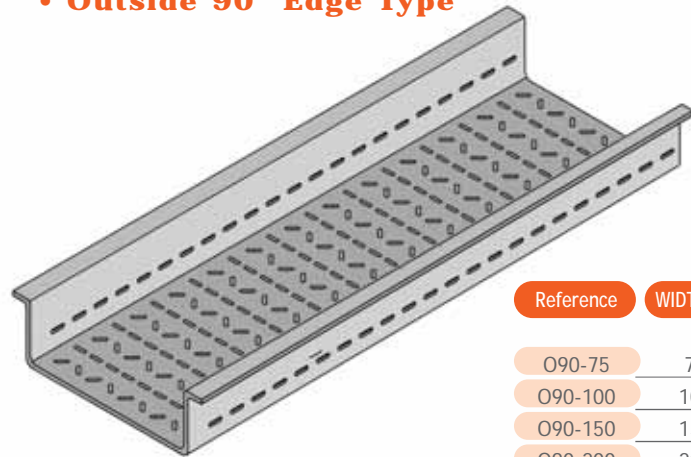
TMI Cable Tray system offers you a simple, inexpensive method of routing and supporting all types of light to heavy weight cables. Ideal for all types of commercial, industrial and government applications. Available in different widths heights and lengths, complete line of fittings and accessories provide flexibility to meet installation requirements. Also available in hot dip galvanized steel or stainless steel Built to NEMA VE-1 standards.

#### • Plain Type



Reference	WIDTH mm	LENGTH mm	HEIGHT mm	THICKNESS mm	PERFORMANCE
P-75	75	2440/3000	25/50/75	1.2	Light
P-100	100	2440/3000	25/50/75	1.2	
P-150	150	2440/3000	25/50/75	1.2	
P-200	200	2440/3000	25/50/75	1.2	
P-225	225	2440/3000	25/50/75	1.2	
P-250	250	2440/3000	25/50/75	1.2	
P-300	300	2440/3000	25/50/75	1.5	Medium
P-400	400	2440/3000	25/50/75	1.5	
P-450	450	2440/3000	25/50/75	2.0	Heavy
P-500	500	2440/3000	25/50/75	2.0	
P-600	600	2440/3000	25/50/75	2.0	
P-750	750	2440/3000	25/50/75	2.0	
P-800	800	2440/3000	25/50/75	2.0	
P-900	900	2440/3000	25/50/75	2.0	
P-1050	1050	2440/3000	25/50/75	2.0	

#### • Outside 90° Edge Type

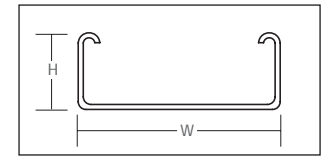
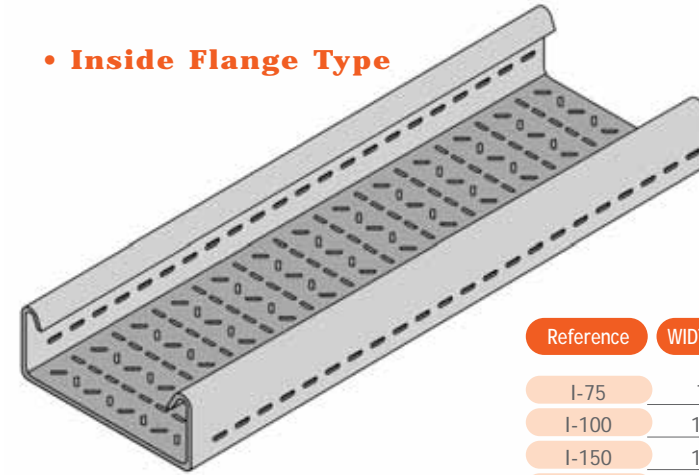


Reference	WIDTH mm	LENGTH mm	HEIGHT mm	THICKNESS mm	PERFORMANCE
O90-75	75	2440/3000	25/50/75	1.2	Light
O90-100	100	2440/3000	25/50/75	1.2	
O90-150	150	2440/3000	25/50/75	1.2	
O90-200	200	2440/3000	25/50/75	1.2	
O90-225	225	2440/3000	25/50/75	1.2	
O90-250	250	2440/3000	25/50/75	1.2	
O90-300	300	2440/3000	25/50/75	1.5	Medium
O90-400	400	2440/3000	25/50/75	1.5	
O90-450	450	2440/3000	25/50/75	2.0	Heavy
O90-500	500	2440/3000	25/50/75	2.0	
O90-600	600	2440/3000	25/50/75	2.0	
O90-750	750	2440/3000	25/50/75	2.0	
O90-800	800	2440/3000	25/50/75	2.0	
O90-900	900	2440/3000	25/50/75	2.0	
O90-1050	1050	2440/3000	25/50/75	2.0	

Ref.	W	L	H	T
------	---	---	---	---

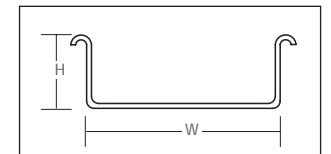
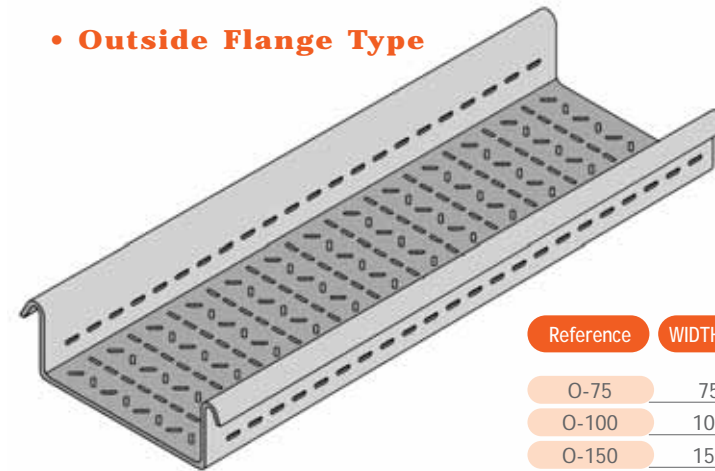
• To place orders fill in the following box:  
 • Special heights & thicknesses are available upon request

#### • Inside Flange Type



Reference	WIDTH mm	LENGTH mm	HEIGHT mm	THICKNESS mm	PERFORMANCE
I-75	75	2440/3000	25/50/75	1.2	Light
I-100	100	2440/3000	25/50/75	1.2	
I-150	150	2440/3000	25/50/75	1.2	
I-200	200	2440/3000	25/50/75	1.2	
I-225	225	2440/3000	25/50/75	1.2	
I-250	250	2440/3000	25/50/75	1.2	
I-300	300	2440/3000	25/50/75	1.5	Medium
I-400	400	2440/3000	25/50/75	1.5	
I-450	450	2440/3000	25/50/75	2.0	Heavy
I-500	500	2440/3000	25/50/75	2.0	
I-600	600	2440/3000	25/50/75	2.0	
I-750	750	2440/3000	25/50/75	2.0	
I-800	800	2440/3000	25/50/75	2.0	
I-900	900	2440/3000	25/50/75	2.0	
I-1050	1050	2440/3000	25/50/75	2.0	

#### • Outside Flange Type



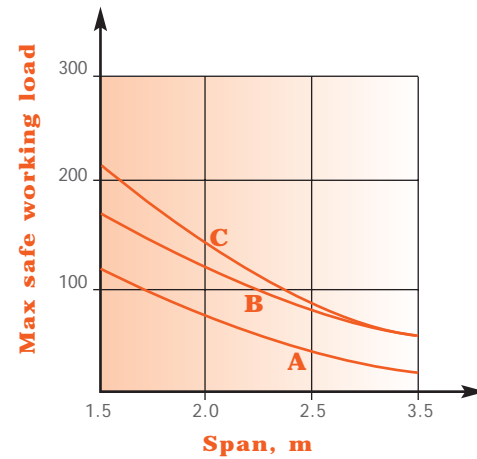
Reference	WIDTH mm	LENGTH mm	HEIGHT mm	THICKNESS mm	PERFORMANCE
O-75	75	2440/3000	25/50/75	1.2	Light
O-100	100	2440/3000	25/50/75	1.2	
O-150	150	2440/3000	25/50/75	1.2	
O-200	200	2440/3000	25/50/75	1.2	
O-225	225	2440/3000	25/50/75	1.2	
O-250	250	2440/3000	25/50/75	1.2	
O-300	300	2440/3000	25/50/75	1.5	Medium
O-400	400	2440/3000	25/50/75	1.5	
O-450	450	2440/3000	25/50/75	2.0	Heavy
O-500	500	2440/3000	25/50/75	2.0	
O-600	600	2440/3000	25/50/75	2.0	
O-750	750	2440/3000	25/50/75	2.0	
O-800	800	2440/3000	25/50/75	2.0	
O-900	900	2440/3000	25/50/75	2.0	
O-1050	1050	2440/3000	25/50/75	2.0	

Ref.	W	L	H	T
------	---	---	---	---

• To place orders fill in the following box:  
 • Special heights & thicknesses are available upon request

### Cable Trays Loading Diagram:

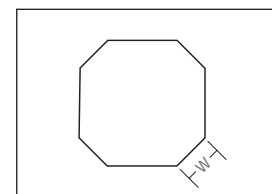
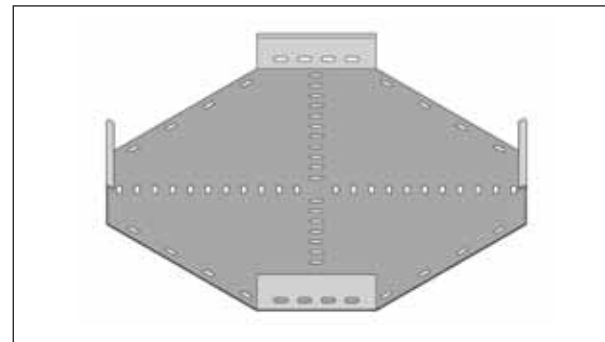
CURVE	HEIGHT mm	LENGTH mm	THICKNESS mm	FLANGE mm
A	75	3000	1.2	50
B	300	3000	1.5	50
C	1050	3000	2.0	50



### Cable Trays Fittings:

#### • Cross Horizontal

Reference	WIDTH mm	HEIGHT mm	THICKNESS mm	PERFORMANCE
CH-75	75	25/50/75	1.2	Light
CH-100	100	25/50/75	1.2	
CH-150	150	25/50/75	1.2	
CH-200	200	25/50/75	1.2	
CH-225	225	25/50/75	1.2	
CH-250	250	25/50/75	1.2	
CH-300	300	25/50/75	1.5	Medium
CH-400	400	25/50/75	1.5	
CH-450	450	25/50/75	2.0	Heavy
CH-500	500	25/50/75	2.0	
CH-600	600	25/50/75	2.0	
CH-750	750	25/50/75	2.0	
CH-800	800	25/50/75	2.0	
CH-900	900	25/50/75	2.0	
CH-1050	1050	25/50/75	2.0	

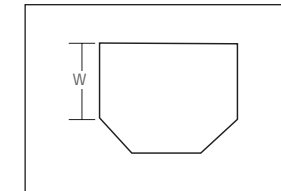
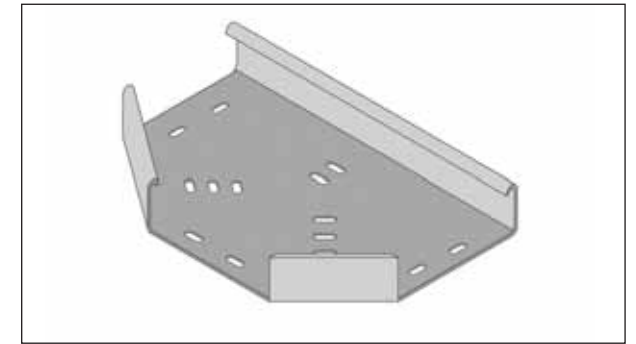


Ref.	W	H	T
------	---	---	---

• To place orders fill in the following box:

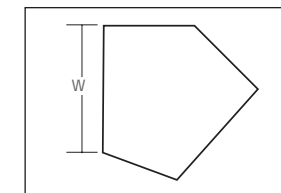
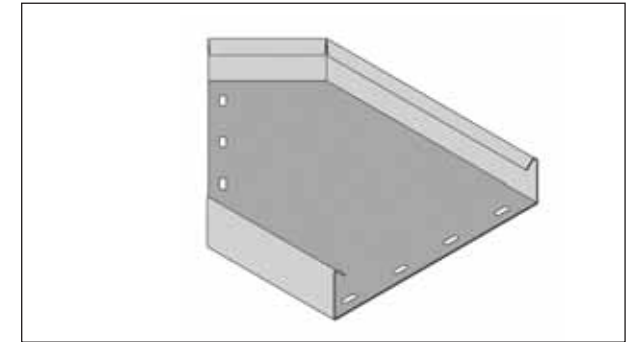
#### • Tee Horizontal

Reference	WIDTH mm	HEIGHT mm	THICKNESS mm	PERFORMANCE
TH-75	75	25/50/75	1.2	Light
TH-100	100	25/50/75	1.2	
TH-150	150	25/50/75	1.2	
TH-200	200	25/50/75	1.2	
TH-225	225	25/50/75	1.2	
TH-250	250	25/50/75	1.2	
TH-300	300	25/50/75	1.5	Medium
TH-400	400	25/50/75	1.5	
TH-450	450	25/50/75	2.0	Heavy
TH-500	500	25/50/75	2.0	
TH-600	600	25/50/75	2.0	
TH-750	750	25/50/75	2.0	
TH-800	800	25/50/75	2.0	
TH-900	900	25/50/75	2.0	
TH-1050	1050	25/50/75	2.0	



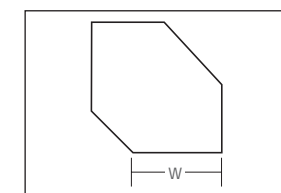
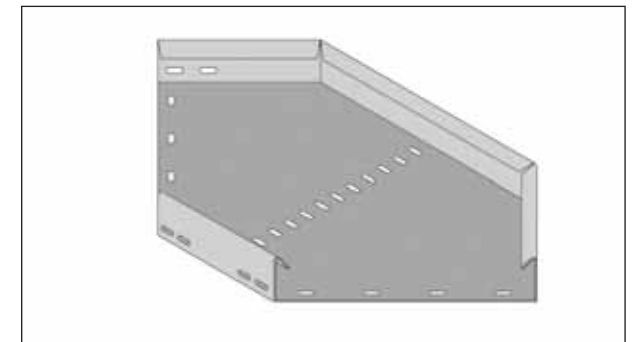
#### • Elbow Horizontal 45°

Reference	WIDTH mm	HEIGHT mm	THICKNESS mm	PERFORMANCE
EH45-75	75	25/50/75	1.2	Light
EH45-100	100	25/50/75	1.2	
EH45-150	150	25/50/75	1.2	
EH45-200	200	25/50/75	1.2	
EH45-225	225	25/50/75	1.2	
EH45-250	250	25/50/75	1.2	
EH45-300	300	25/50/75	1.5	Medium
EH45-400	400	25/50/75	1.5	
EH45-450	450	25/50/75	2.0	Heavy
EH45-500	500	25/50/75	2.0	
EH45-600	600	25/50/75	2.0	
EH45-750	750	25/50/75	2.0	
EH45-800	800	25/50/75	2.0	
EH45-900	900	25/50/75	2.0	
EH45-1050	1050	25/50/75	2.0	



#### • Elbow Horizontal 90°

Reference	WIDTH mm	HEIGHT mm	THICKNESS mm	PERFORMANCE
EH90-75	75	25/50/75	1.2	Light
EH90-100	100	25/50/75	1.2	
EH90-150	150	25/50/75	1.2	
EH90-200	200	25/50/75	1.2	
EH90-225	225	25/50/75	1.2	
EH90-250	250	25/50/75	1.2	
EH90-300	300	25/50/75	1.5	Medium
EH90-400	400	25/50/75	1.5	
EH90-450	450	25/50/75	2.0	Heavy
EH90-500	500	25/50/75	2.0	
EH90-600	600	25/50/75	2.0	
EH90-750	750	25/50/75	2.0	
EH90-800	800	25/50/75	2.0	
EH90-900	900	25/50/75	2.0	
EH90-1050	1050	25/50/75	2.0	

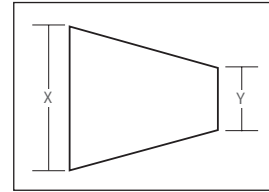
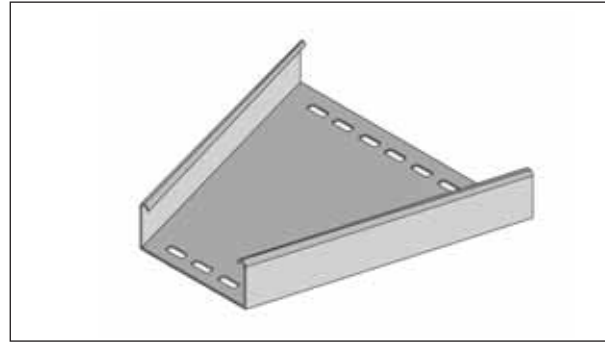


Ref.	W	H	T
------	---	---	---

• To place orders fill in the following box:

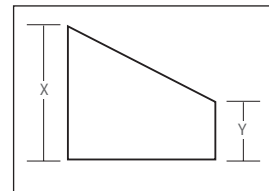
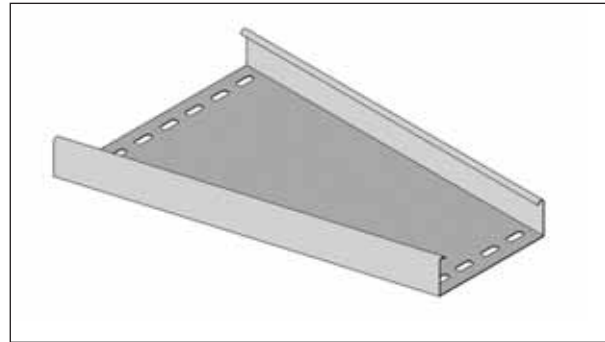
• Reducer Straight

Reference	WIDTH mm		HEIGHT mm	THICKNESS	PERFORMANCE
	X	Y			
RS-XY	75	75	25/50/75	1.2	Light
RS-XY	100	100	25/50/75	1.2	
RS-XY	150	150	25/50/75	1.2	
RS-XY	200	200	25/50/75	1.2	
RS-XY	225	225	25/50/75	1.2	
RS-XY	250	250	25/50/75	1.2	Medium
RS-XY	300	300	25/50/75	1.5	
RS-XY	400	400	25/50/75	1.5	
RS-XY	450	450	25/50/75	2.0	Heavy
RS-XY	500	500	25/50/75	2.0	
RS-XY	600	600	25/50/75	2.0	
RS-XY	750	750	25/50/75	2.0	
RS-XY	800	800	25/50/75	2.0	
RS-XY	900	900	25/50/75	2.0	
RS-XY	1050	1050	25/50/75	2.0	



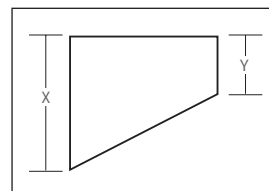
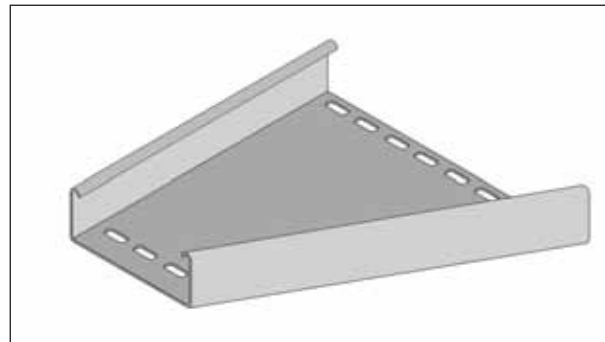
• Reducer left

Reference	WIDTH mm		HEIGHT mm	THICKNESS mm	PERFORMANCE
	X	Y			
RL-XY	75	75	25/50/75	1.2	Light
RL-XY	100	100	25/50/75	1.2	
RL-XY	150	150	25/50/75	1.2	
RL-XY	200	200	25/50/75	1.2	
RL-XY	225	225	25/50/75	1.2	
RL-XY	250	250	25/50/75	1.2	Medium
RL-XY	300	300	25/50/75	1.5	
RL-XY	400	400	25/50/75	1.5	
RL-XY	450	450	25/50/75	2.0	Heavy
RL-XY	500	500	25/50/75	2.0	
RL-XY	600	600	25/50/75	2.0	
RL-XY	750	750	25/50/75	2.0	
RL-XY	800	800	25/50/75	2.0	
RL-XY	900	900	25/50/75	2.0	
RL-XY	1050	1050	25/50/75	2.0	



• Reducer Right

Reference	WIDTH mm		HEIGHT mm	THICKNESS mm	PERFORMANCE
	X	Y			
RR-XY	75	75	25/50/75	1.2	Light
RR-XY	100	100	25/50/75	1.2	
RR-XY	150	150	25/50/75	1.2	
RR-XY	200	200	25/50/75	1.2	
RR-XY	225	225	25/50/75	1.2	
RR-XY	250	250	25/50/75	1.2	Medium
RR-XY	300	300	25/50/75	1.5	
RR-XY	400	400	25/50/75	1.5	
RR-XY	450	450	25/50/75	2.0	Heavy
RR-XY	500	500	25/50/75	2.0	
RR-XY	600	600	25/50/75	2.0	
RR-XY	750	750	25/50/75	2.0	
RR-XY	800	800	25/50/75	2.0	
RR-XY	900	900	25/50/75	2.0	
RR-XY	1050	1050	25/50/75	2.0	

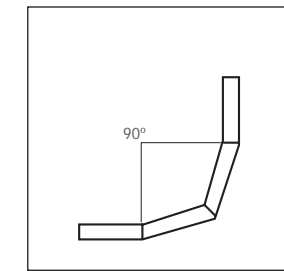
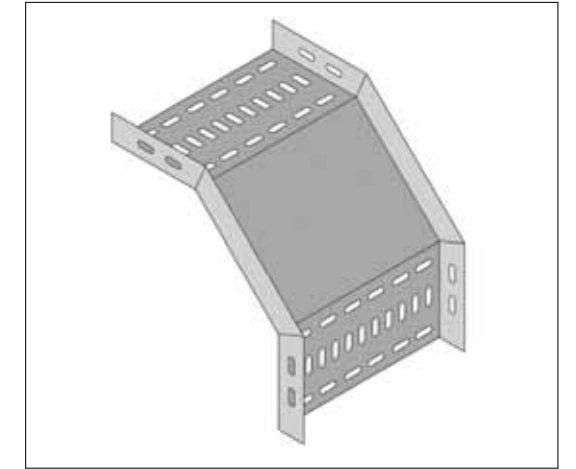


Ref.	X	Y	H	T
------	---	---	---	---

- To place orders fill in the following box:
- X,Y Should specified upon customer requirement

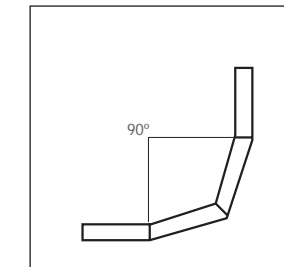
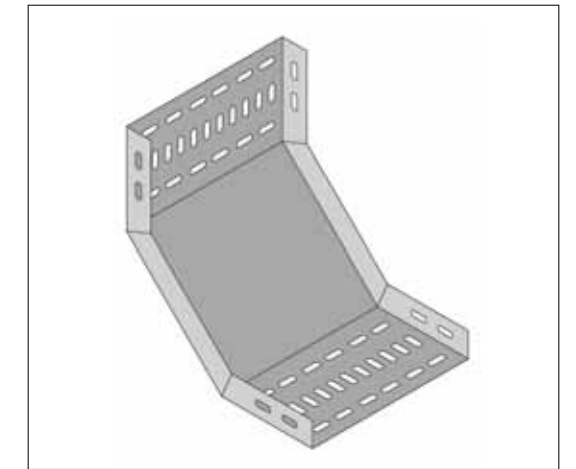
• External Riser

Reference	WIDTH mm	HEIGHT mm	THICKNESS mm	PERFORMANCE
ER-100	100	25/50/75	1.2	
ER-150	150	25/50/75	1.2	
ER-200	200	25/50/75	1.2	
ER-225	225	25/50/75	1.2	
ER-250	250	25/50/75	1.2	Medium
ER-300	300	25/50/75	1.5	
ER-400	400	25/50/75	1.5	
ER-450	450	25/50/75	2.0	Heavy
ER-500	500	25/50/75	2.0	
ER-600	600	25/50/75	2.0	
ER-750	750	25/50/75	2.0	
ER-800	800	25/50/75	2.0	
ER-900	900	25/50/75	2.0	
ER-1050	1050	25/50/75	2.0	



• Internal Riser

Reference	WIDTH mm	HEIGHT mm	THICKNESS mm	PERFORMANCE
IR-100	100	25/50/75	1.2	
IR-150	150	25/50/75	1.2	
IR-200	200	25/50/75	1.2	
IR-225	225	25/50/75	1.2	
IR-250	250	25/50/75	1.2	Medium
IR-300	300	25/50/75	1.5	
IR-400	400	25/50/75	1.5	
IR-450	450	25/50/75	2.0	Heavy
IR-500	500	25/50/75	2.0	
IR-600	600	25/50/75	2.0	
IR-750	750	25/50/75	2.0	
IR-800	800	25/50/75	2.0	
IR-900	900	25/50/75	2.0	
IR-1050	1050	25/50/75	2.0	

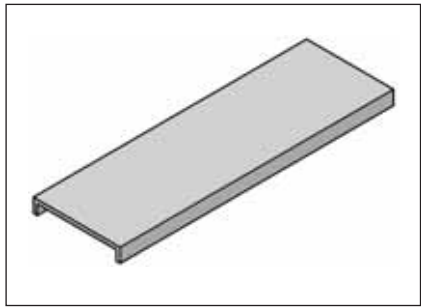


Ref.	W	H	T
------	---	---	---

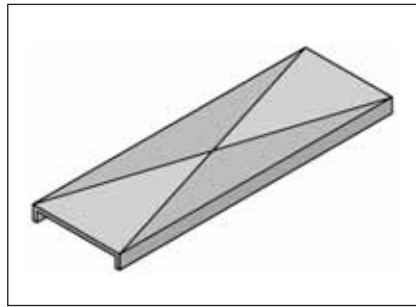
- To place orders fill in the following box:

### Cable Trays Covers:

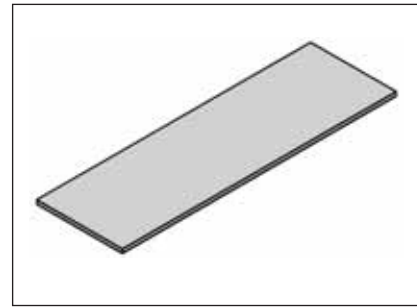
To order covers simply add the cover designation to the reference from the cable trays or the fittings tables.



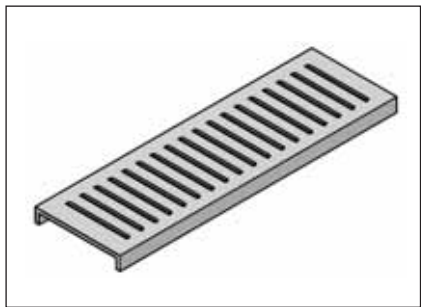
**C101** Plain edged cover



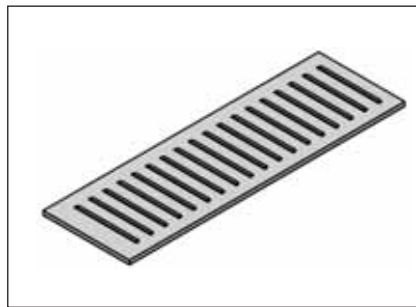
**C102** Reinforced edged cover



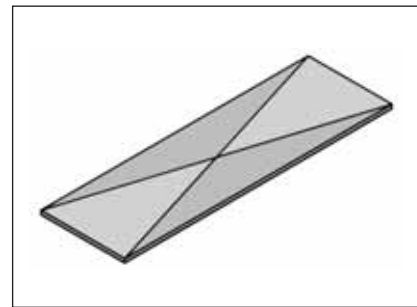
**C103** Plain cover



**C104** Ventilated edged cover

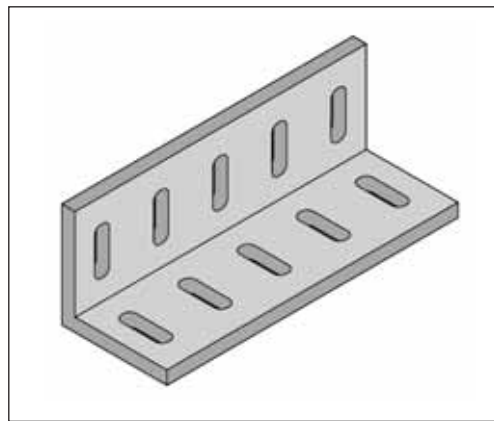


**C105** Ventilated cover

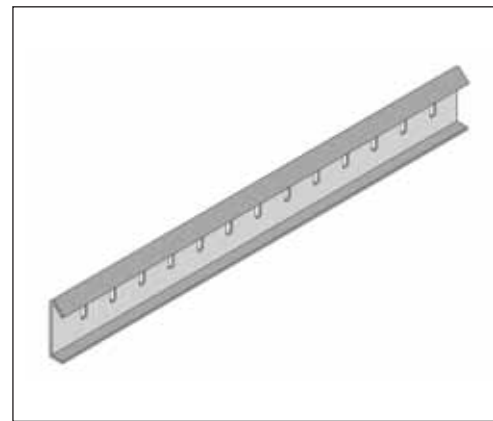


**C106** Reinforced plain cover

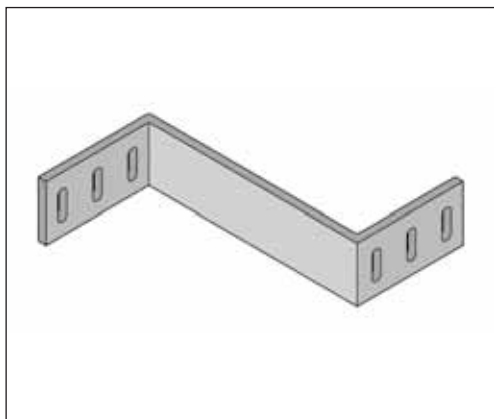
### Cable Trays Accessories & Connectors:



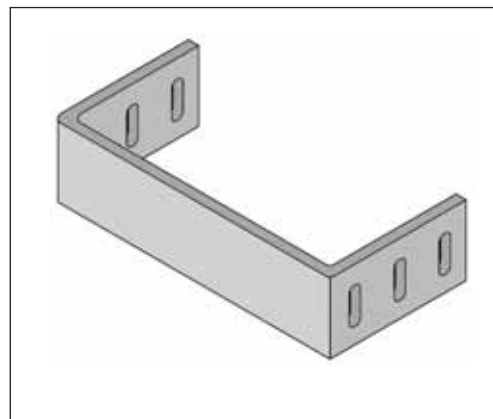
**AC101** Connector standard



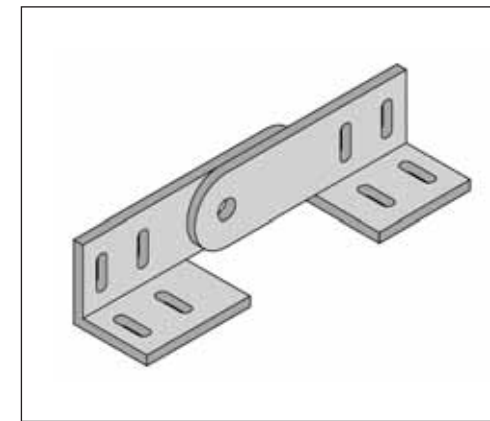
**AC102** Straight divider



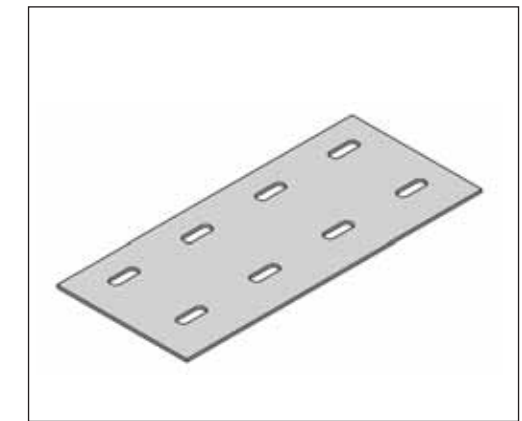
**AC103** Reducing connector



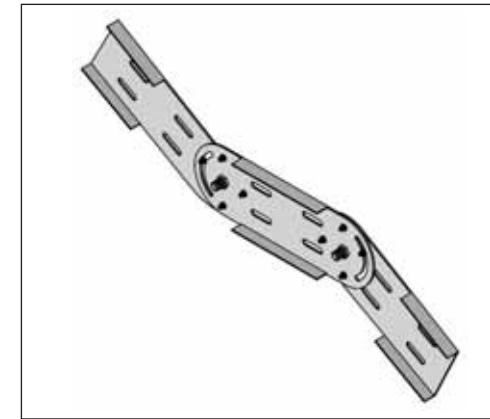
**AC104** Blind end plate



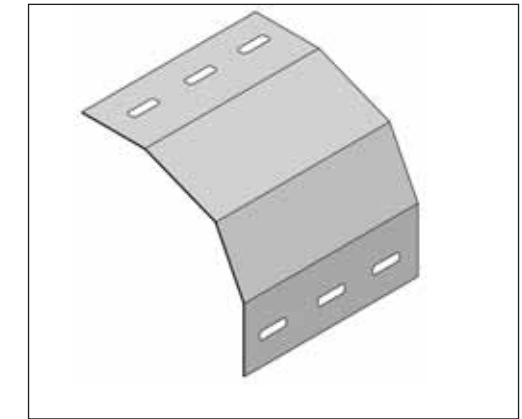
**AC105** Adjustable connector



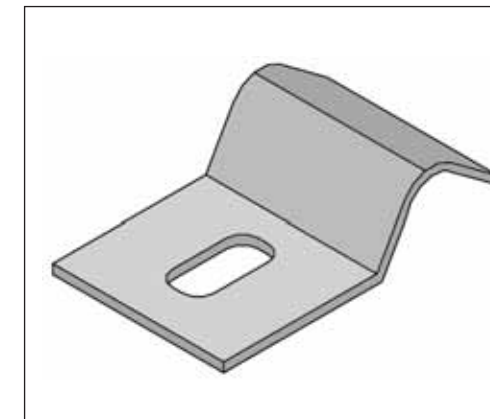
**AC106** Fish plate



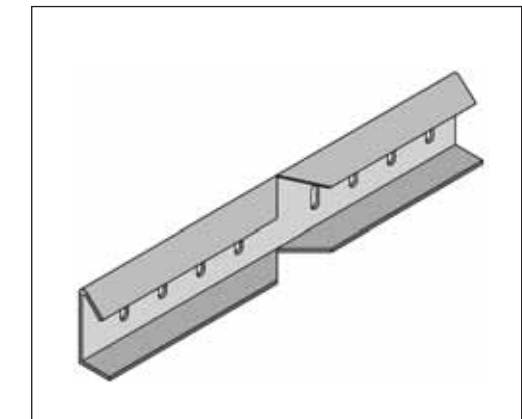
**AC107** Dynamic connector



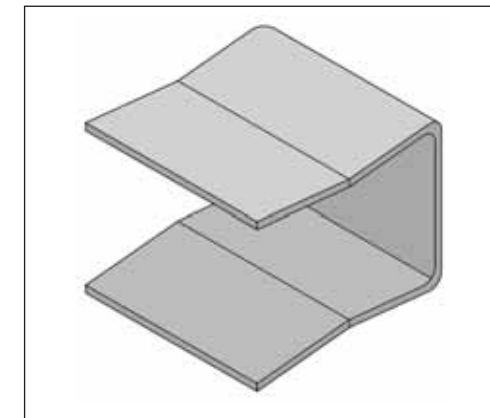
**AC108** Drop out



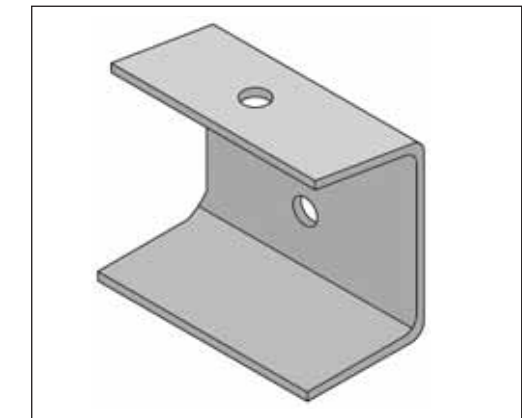
**AC109** Hold down bracket



**AC110** Bendable divider



**AC111** Cover clamp



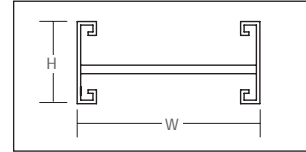
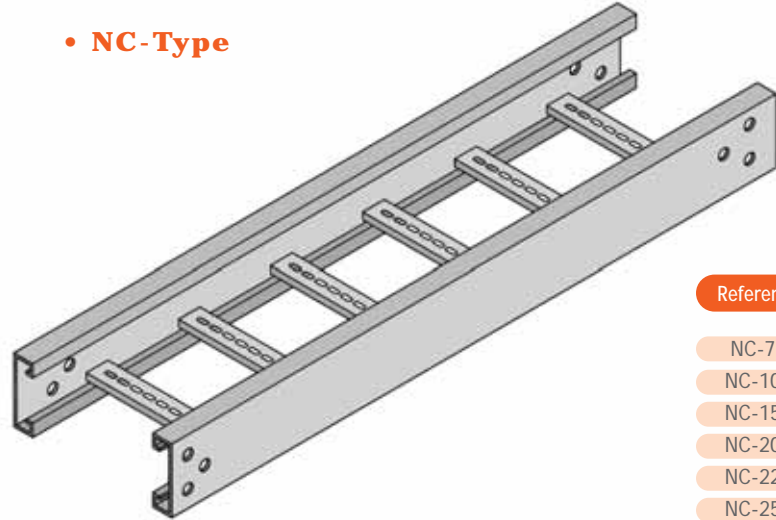
**AC112** Cover clamp with screw



### Cable Ladders Systems:

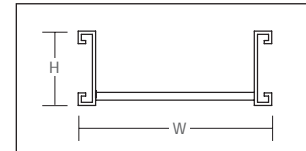
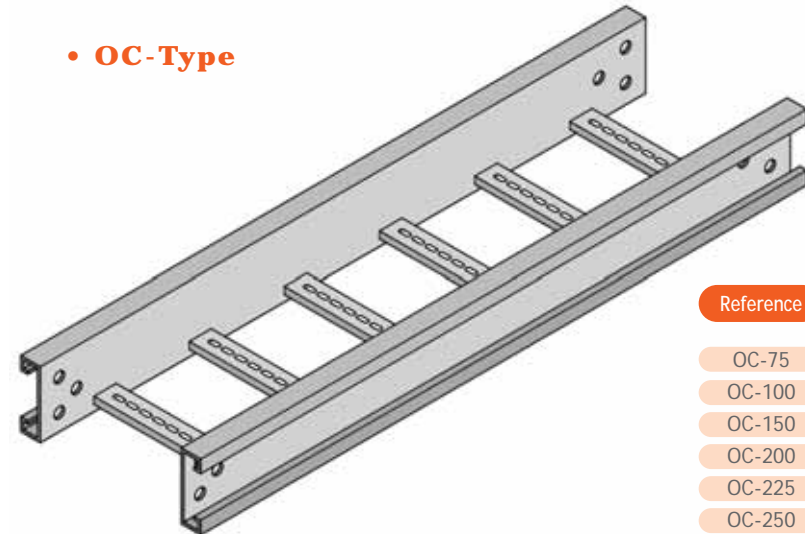
TMI line of Galvanized and stainless steel cable trays Includes selection of sizes, lengths, fittings and accessories. Different sections are available in standard lengths up to 3000 mm and widths up to 1050 mm in ladder, ventilated trough connecting gauges comes in standard width of 21mm & two heights 21mm & 41mm. Special heights and widths are available conforming to NEMA VE-1 standards.

#### • NC-Type



Reference	WIDTH mm	LENGTH mm	HEIGHT mm	THICKNESS mm
NC-75	75	2440/3000	50/75/100/125/150	1.2/2.0
NC-100	100	2440/3000	50/75/100/125/150	1.2/2.0
NC-150	150	2440/3000	50/75/100/125/150	1.2/2.0
NC-200	200	2440/3000	50/75/100/125/150	1.2/2.0
NC-225	225	2440/3000	50/75/100/125/150	1.2/2.0
NC-250	250	2440/3000	50/75/100/125/150	1.2/2.0
NC-300	300	2440/3000	50/75/100/125/150	1.2/2.0
NC-400	400	2440/3000	50/75/100/125/150	1.2/2.0
NC-450	450	2440/3000	50/75/100/125/150	1.2/2.0
NC-500	500	2440/3000	50/75/100/125/150	1.2/2.0
NC-600	600	2440/3000	50/75/100/125/150	1.2/2.0
NC-750	750	2440/3000	50/75/100/125/150	1.2/2.0
NC-800	800	2440/3000	50/75/100/125/150	1.2/2.0
NC-900	900	2440/3000	50/75/100/125/150	1.2/2.0
NC-1050	1050	2440/3000	50/75/100/125/150	1.2/2.0

#### • OC-Type

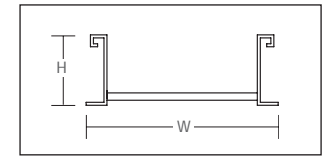
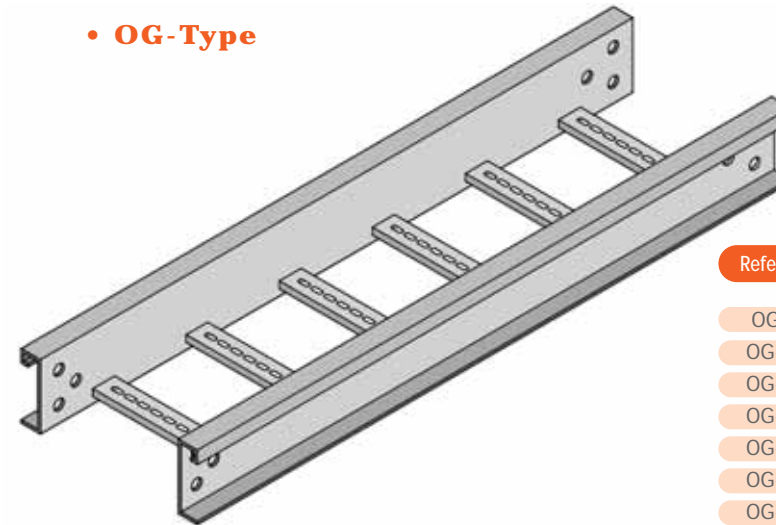


Reference	WIDTH mm	LENGTH mm	HEIGHT mm	THICKNESS mm
OC-75	75	2440/3000	50/75/100/125/150	1.2/2.0
OC-100	100	2440/3000	50/75/100/125/150	1.2/2.0
OC-150	150	2440/3000	50/75/100/125/150	1.2/2.0
OC-200	200	2440/3000	50/75/100/125/150	1.2/2.0
OC-225	225	2440/3000	50/75/100/125/150	1.2/2.0
OC-250	250	2440/3000	50/75/100/125/150	1.2/2.0
OC-300	300	2440/3000	50/75/100/125/150	1.2/2.0
OC-400	400	2440/3000	50/75/100/125/150	1.2/2.0
OC-450	450	2440/3000	50/75/100/125/150	1.2/2.0
OC-500	500	2440/3000	50/75/100/125/150	1.2/2.0
OC-600	600	2440/3000	50/75/100/125/150	1.2/2.0
OC-750	750	2440/3000	50/75/100/125/150	1.2/2.0
OC-800	800	2440/3000	50/75/100/125/150	1.2/2.0
OC-900	900	2440/3000	50/75/100/125/150	1.2/2.0
OC-1050	1050	2440/3000	50/75/100/125/150	1.2/2.0

Ref.	W	L	H	T
------	---	---	---	---

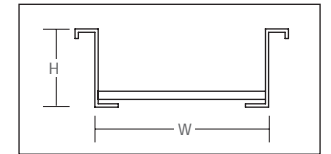
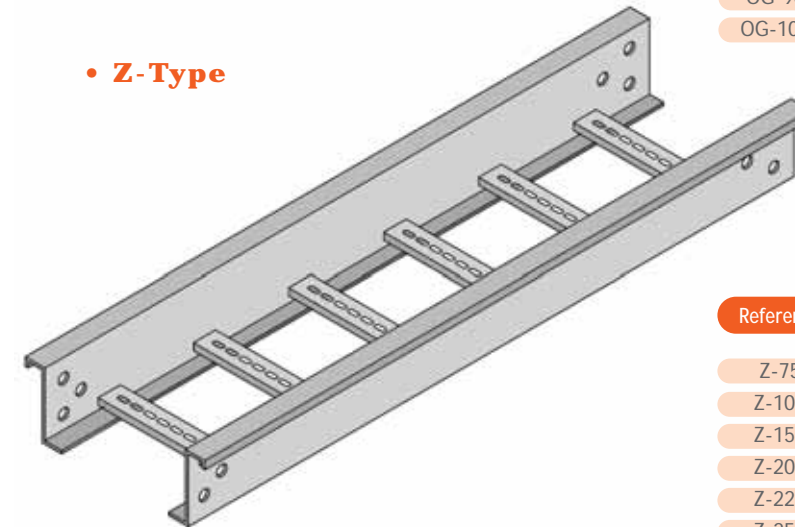
- To place orders fill in the following box:
- Special heights & thicknesses are available upon request

#### • OG-Type



Reference	WIDTH mm	LENGTH mm	HEIGHT mm	THICKNESS mm
OG-75	75	2440/3000	50/75/100/125/150	1.2/2.0
OG-100	100	2440/3000	50/75/100/125/150	1.2/2.0
OG-150	150	2440/3000	50/75/100/125/150	1.2/2.0
OG-200	200	2440/3000	50/75/100/125/150	1.2/2.0
OG-225	225	2440/3000	50/75/100/125/150	1.2/2.0
OG-250	250	2440/3000	50/75/100/125/150	1.2/2.0
OG-300	300	2440/3000	50/75/100/125/150	1.2/2.0
OG-400	400	2440/3000	50/75/100/125/150	1.2/2.0
OG-450	450	2440/3000	50/75/100/125/150	1.2/2.0
OG-500	500	2440/3000	50/75/100/125/150	1.2/2.0
OG-600	600	2440/3000	50/75/100/125/150	1.2/2.0
OG-750	750	2440/3000	50/75/100/125/150	1.2/2.0
OG-800	800	2440/3000	50/75/100/125/150	1.2/2.0
OG-900	900	2440/3000	50/75/100/125/150	1.2/2.0
OG-1050	1050	2440/3000	50/75/100/125/150	1.2/2.0

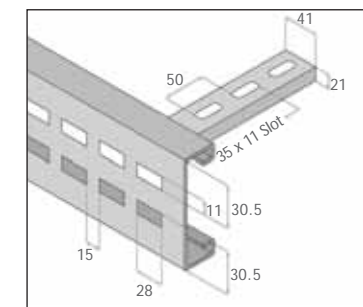
#### • Z-Type



Reference	WIDTH mm	LENGTH mm	HEIGHT mm	THICKNESS mm
Z-75	75	2440/3000	50/75/100/125/150	1.2/2.0
Z-100	100	2440/3000	50/75/100/125/150	1.2/2.0
Z-150	150	2440/3000	50/75/100/125/150	1.2/2.0
Z-200	200	2440/3000	50/75/100/125/150	1.2/2.0
Z-225	225	2440/3000	50/75/100/125/150	1.2/2.0
Z-250	250	2440/3000	50/75/100/125/150	1.2/2.0
Z-300	300	2440/3000	50/75/100/125/150	1.2/2.0
Z-400	400	2440/3000	50/75/100/125/150	1.2/2.0
Z-450	450	2440/3000	50/75/100/125/150	1.2/2.0
Z-500	500	2440/3000	50/75/100/125/150	1.2/2.0
Z-600	600	2440/3000	50/75/100/125/150	1.2/2.0
Z-750	750	2440/3000	50/75/100/125/150	1.2/2.0
Z-800	800	2440/3000	50/75/100/125/150	1.2/2.0
Z-900	900	2440/3000	50/75/100/125/150	1.2/2.0
Z-1050	1050	2440/3000	50/75/100/125/150	1.2/2.0

### Rails Assembly:

The figure shows rail & rungs assembly with holes dimensions

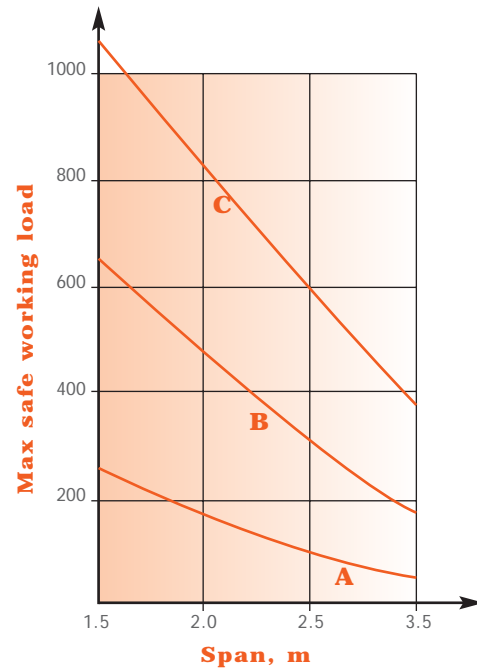


Ref.	W	L	H	T
------	---	---	---	---

- To place orders fill in the following box:
- Special heights & thicknesses are available upon request

### Cable Ladders Loading Diagram:

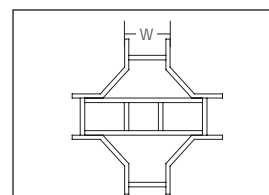
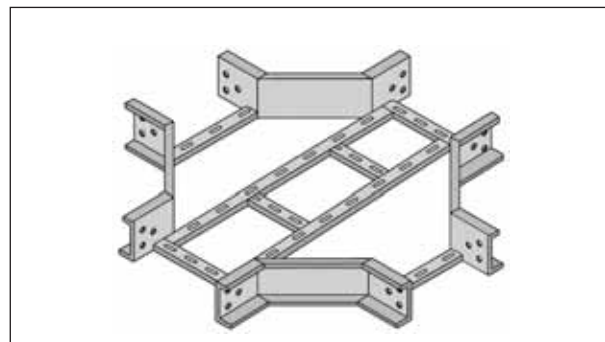
CURVE	HEIGHT mm	LENGTH mm	THICKNESS mm
A	75	3000	1.5
B	125	3000	1.5
C	150	3000	2.5



### Cable Ladders Fittings:

#### • Cross Horizontal

REFERENCE	WIDTH mm	HEIGHT mm	THICKNESS mm
CHL-75	75	50/75/100/125/150	1.2/2.0
CHL-100	100	50/75/100/125/150	1.2/2.0
CHL-150	150	50/75/100/125/150	1.2/2.0
CHL-200	200	50/75/100/125/150	1.2/2.0
CHL-225	225	50/75/100/125/150	1.2/2.0
CHL-250	250	50/75/100/125/150	1.2/2.0
CHL-300	300	50/75/100/125/150	1.2/2.0
CHL-400	400	50/75/100/125/150	1.2/2.0
CHL-450	450	50/75/100/125/150	1.2/2.0
CHL-500	500	50/75/100/125/150	1.2/2.0
CHL-600	600	50/75/100/125/150	1.2/2.0
CHL-750	750	50/75/100/125/150	1.2/2.0
CHL-800	800	50/75/100/125/150	1.2/2.0
CHL-900	900	50/75/100/125/150	1.2/2.0
CHL-1050	1050	50/75/100/125/150	1.2/2.0

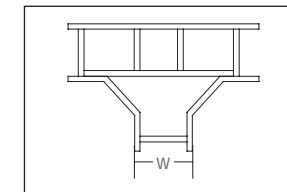
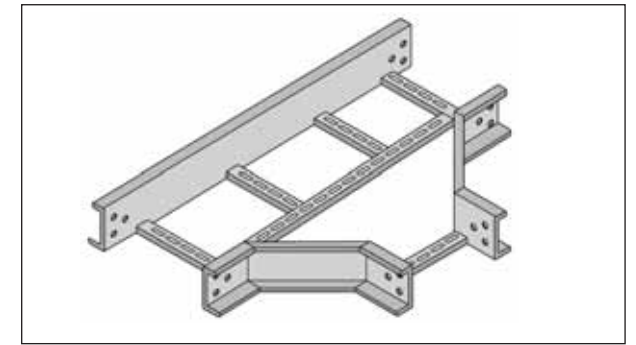


Ref.	W	L	H	T
------	---	---	---	---

• To place orders fill in the following box:

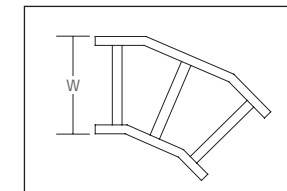
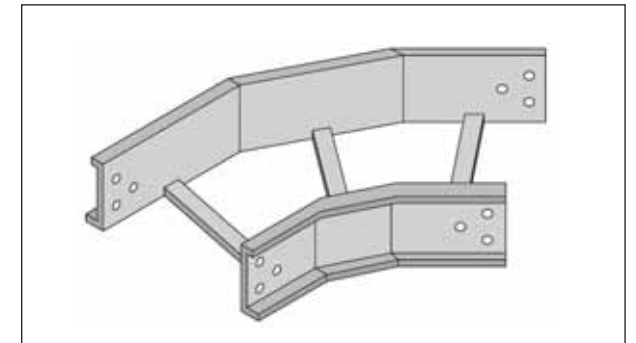
#### • Tee Horizontal

REFERENCE	WIDTH mm	HEIGHT mm	THICKNESS mm
THL-75	75	50/75/100/125/150	1.2/2.0
THL-100	100	50/75/100/125/150	1.2/2.0
THL-150	150	50/75/100/125/150	1.2/2.0
THL-200	200	50/75/100/125/150	1.2/2.0
THL-225	225	50/75/100/125/150	1.2/2.0
THL-250	250	50/75/100/125/150	1.2/2.0
THL-300	300	50/75/100/125/150	1.2/2.0
THL-400	400	50/75/100/125/150	1.2/2.0
THL-450	450	50/75/100/125/150	1.2/2.0
THL-500	500	50/75/100/125/150	1.2/2.0
THL-600	600	50/75/100/125/150	1.2/2.0
THL-750	750	50/75/100/125/150	1.2/2.0
THL-800	800	50/75/100/125/150	1.2/2.0
THL-900	900	50/75/100/125/150	1.2/2.0
THL-1050	1050	50/75/100/125/150	1.2/2.0



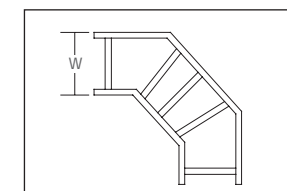
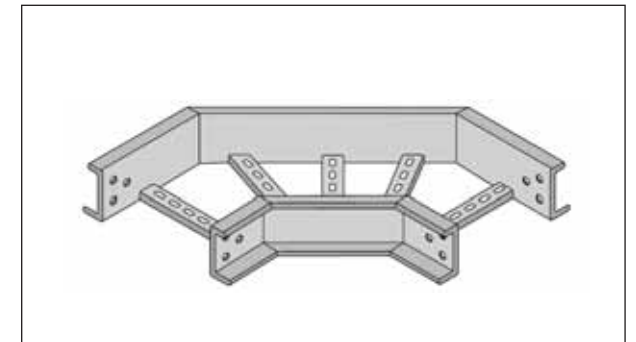
#### • Elbow 45°

REFERENCE	WIDTH mm	HEIGHT mm	THICKNESS mm
EHL45-75	75	50/75/100/125/150	1.2/2.0
EHL45-100	100	50/75/100/125/150	1.2/2.0
EHL45-150	150	50/75/100/125/150	1.2/2.0
EHL45-200	200	50/75/100/125/150	1.2/2.0
EHL45-225	225	50/75/100/125/150	1.2/2.0
EHL45-250	250	50/75/100/125/150	1.2/2.0
EHL45-300	300	50/75/100/125/150	1.2/2.0
EHL45-400	400	50/75/100/125/150	1.2/2.0
EHL45-450	450	50/75/100/125/150	1.2/2.0
EHL45-500	500	50/75/100/125/150	1.2/2.0
EHL45-600	600	50/75/100/125/150	1.2/2.0
EHL45-750	750	50/75/100/125/150	1.2/2.0
EHL45-800	800	50/75/100/125/150	1.2/2.0
EHL45-900	900	50/75/100/125/150	1.2/2.0
EHL45-1050	1050	50/75/100/125/150	1.2/2.0



#### • Elbow 90°

REFERENCE	WIDTH mm	HEIGHT mm	THICKNESS mm
EHL90-75	75	50/75/100/125/150	1.2/2.0
EHL90-100	100	50/75/100/125/150	1.2/2.0
EHL90-150	150	50/75/100/125/150	1.2/2.0
EHL90-200	200	50/75/100/125/150	1.2/2.0
EHL90-225	225	50/75/100/125/150	1.2/2.0
EHL90-250	250	50/75/100/125/150	1.2/2.0
EHL90-300	300	50/75/100/125/150	1.2/2.0
EHL90-400	400	50/75/100/125/150	1.2/2.0
EHL90-450	450	50/75/100/125/150	1.2/2.0
EHL90-500	500	50/75/100/125/150	1.2/2.0
EHL90-600	600	50/75/100/125/150	1.2/2.0
EHL90-750	750	50/75/100/125/150	1.2/2.0
EHL90-800	800	50/75/100/125/150	1.2/2.0
EHL90-900	900	50/75/100/125/150	1.2/2.0
EHL90-1050	1050	50/75/100/125/150	1.2/2.0

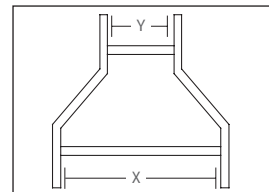
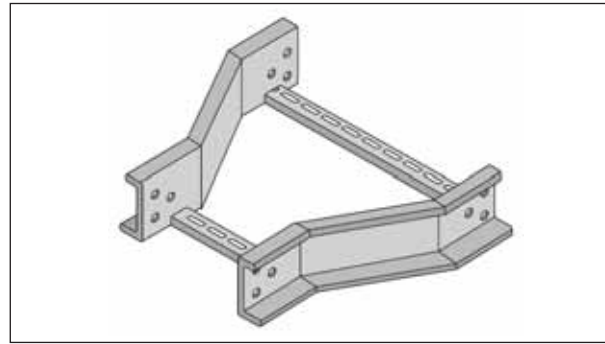


Ref.	W	L	H	T
------	---	---	---	---

• To place orders fill in the following box:

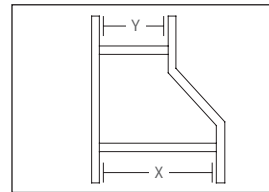
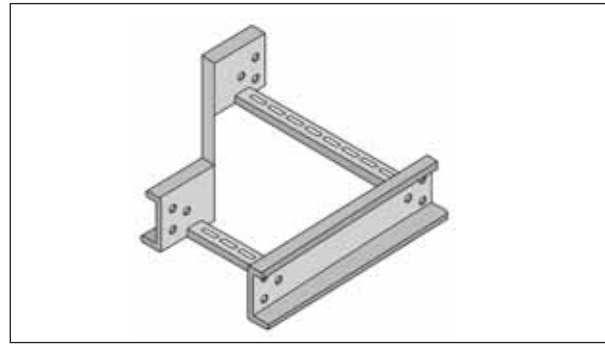
• Reducer Straight

REFERENCE	WIDTH mm		HEIGHT mm	THICKNESS mm
	X	Y		
CSL-XY	75	75	50/75/100/125/150	1.2/2.0
CSL-XY	100	100	50/75/100/125/150	1.2/2.0
CSL-XY	150	150	50/75/100/125/150	1.2/2.0
CSL-XY	200	200	50/75/100/125/150	1.2/2.0
CSL-XY	225	225	50/75/100/125/150	1.2/2.0
CSL-XY	250	250	50/75/100/125/150	1.2/2.0
CSL-XY	300	300	50/75/100/125/150	1.2/2.0
CSL-XY	400	400	50/75/100/125/150	1.2/2.0
CSL-XY	450	450	50/75/100/125/150	1.2/2.0
CSL-XY	500	500	50/75/100/125/150	1.2/2.0
CSL-XY	600	600	50/75/100/125/150	1.2/2.0
CSL-XY	750	750	50/75/100/125/150	1.2/2.0
CSL-XY	800	800	50/75/100/125/150	1.2/2.0
CSL-XY	900	900	50/75/100/125/150	1.2/2.0
CSL-XY	1050	1050	50/75/100/125/150	1.2/2.0



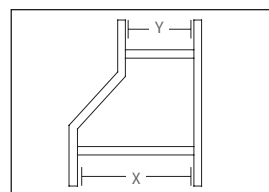
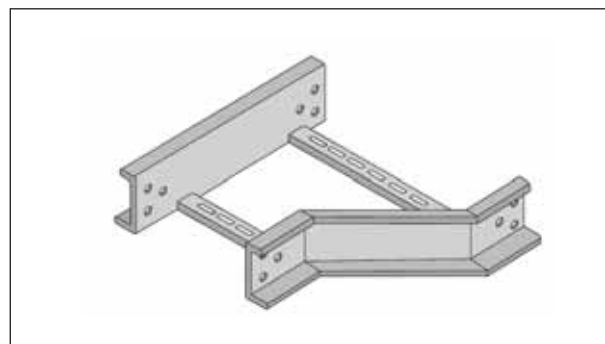
• Reducer Right

REFERENCE	WIDTH mm		HEIGHT mm	THICKNESS mm
	X	Y		
RLL-XY	75	75	50/75/100/125/150	1.2/2.0
RLL-XY	100	100	50/75/100/125/150	1.2/2.0
RLL-XY	150	150	50/75/100/125/150	1.2/2.0
RLL-XY	200	200	50/75/100/125/150	1.2/2.0
RLL-XY	225	225	50/75/100/125/150	1.2/2.0
RLL-XY	250	250	50/75/100/125/150	1.2/2.0
RLL-XY	300	300	50/75/100/125/150	1.2/2.0
RLL-XY	400	400	50/75/100/125/150	1.2/2.0
RLL-XY	450	450	50/75/100/125/150	1.2/2.0
RLL-XY	500	500	50/75/100/125/150	1.2/2.0
RLL-XY	600	600	50/75/100/125/150	1.2/2.0
RLL-XY	750	750	50/75/100/125/150	1.2/2.0
RLL-XY	800	800	50/75/100/125/150	1.2/2.0
RLL-XY	900	900	50/75/100/125/150	1.2/2.0
RLL-XY	1050	1050	50/75/100/125/150	1.2/2.0



• Reducer Lift

REFERENCE	WIDTH mm		HEIGHT mm	THICKNESS mm
	X	Y		
RRL-XY	75	75	50/75/100/125/150	1.2/2.0
RRL-XY	100	100	50/75/100/125/150	1.2/2.0
RRL-XY	150	150	50/75/100/125/150	1.2/2.0
RRL-XY	200	200	50/75/100/125/150	1.2/2.0
RRL-XY	225	225	50/75/100/125/150	1.2/2.0
RRL-XY	250	250	50/75/100/125/150	1.2/2.0
RRL-XY	300	300	50/75/100/125/150	1.2/2.0
RRL-XY	400	400	50/75/100/125/150	1.2/2.0
RRL-XY	450	450	50/75/100/125/150	1.2/2.0
RRL-XY	500	500	50/75/100/125/150	1.2/2.0
RRL-XY	600	600	50/75/100/125/150	1.2/2.0
RRL-XY	750	750	50/75/100/125/150	1.2/2.0
RRL-XY	800	800	50/75/100/125/150	1.2/2.0
RRL-XY	900	900	50/75/100/125/150	1.2/2.0
RRL-XY	1050	1050	50/75/100/125/150	1.2/2.0

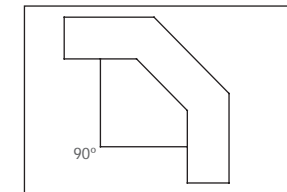
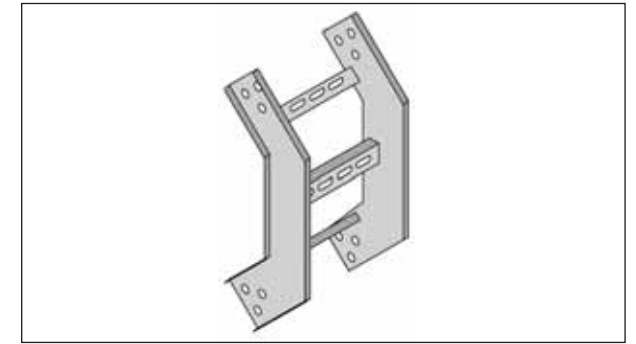


Ref.	X	Y	H	T
------	---	---	---	---

• To place orders fill in the following box:  
 • X,Y Should be specified upon customer requirement

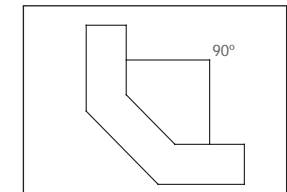
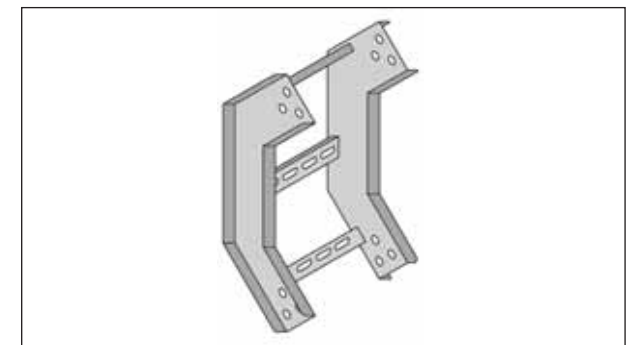
• External Riser

REFERENCE	WIDTH mm		HEIGHT mm	THICKNESS mm
	X	Y		
ERL-75	75	75	50/75/100/125/150	1.2/2.0
ERL-100	100	100	50/75/100/125/150	1.2/2.0
ERL-150	150	150	50/75/100/125/150	1.2/2.0
ERL-200	200	200	50/75/100/125/150	1.2/2.0
ERL-225	225	225	50/75/100/125/150	1.2/2.0
ERL-250	250	250	50/75/100/125/150	1.2/2.0
ERL-300	300	300	50/75/100/125/150	1.2/2.0
ERL-400	400	400	50/75/100/125/150	1.2/2.0
ERL-450	450	450	50/75/100/125/150	1.2/2.0
ERL-500	500	500	50/75/100/125/150	1.2/2.0
ERL-600	600	600	50/75/100/125/150	1.2/2.0
ERL-750	750	750	50/75/100/125/150	1.2/2.0
ERL-800	800	800	50/75/100/125/150	1.2/2.0
ERL-900	900	900	50/75/100/125/150	1.2/2.0
ERL-1050	1050	1050	50/75/100/125/150	1.2/2.0



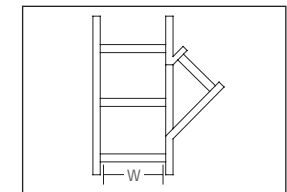
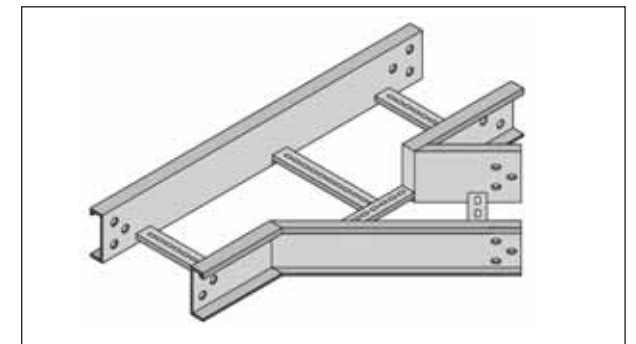
• Internal Riser

REFERENCE	WIDTH mm		HEIGHT mm	THICKNESS mm
	X	Y		
IRL-75	75	75	50/75/100/125/150	1.2/2.0
IRL-100	100	100	50/75/100/125/150	1.2/2.0
IRL-150	150	150	50/75/100/125/150	1.2/2.0
IRL-200	200	200	50/75/100/125/150	1.2/2.0
IRL-225	225	225	50/75/100/125/150	1.2/2.0
IRL-250	250	250	50/75/100/125/150	1.2/2.0
IRL-300	300	300	50/75/100/125/150	1.2/2.0
IRL-400	400	400	50/75/100/125/150	1.2/2.0
IRL-450	450	450	50/75/100/125/150	1.2/2.0
IRL-500	500	500	50/75/100/125/150	1.2/2.0
IRL-600	600	600	50/75/100/125/150	1.2/2.0
IRL-750	750	750	50/75/100/125/150	1.2/2.0
IRL-800	800	800	50/75/100/125/150	1.2/2.0
IRL-900	900	900	50/75/100/125/150	1.2/2.0
IRL-1050	1050	1050	50/75/100/125/150	1.2/2.0



• Adjustable Divider

REFERENCE	WIDTH mm		HEIGHT mm	THICKNESS mm
	X	Y		
DRL-75	75	75	50/75/100/125/150	1.2/2.0
DRL-100	100	100	50/75/100/125/150	1.2/2.0
DRL-150	150	150	50/75/100/125/150	1.2/2.0
DRL-200	200	200	50/75/100/125/150	1.2/2.0
DRL-225	225	225	50/75/100/125/150	1.2/2.0
DRL-250	250	250	50/75/100/125/150	1.2/2.0
DRL-300	300	300	50/75/100/125/150	1.2/2.0
DRL-400	400	400	50/75/100/125/150	1.2/2.0
DRL-450	450	450	50/75/100/125/150	1.2/2.0
DRL-500	500	500	50/75/100/125/150	1.2/2.0
DRL-600	600	600	50/75/100/125/150	1.2/2.0
DRL-750	750	750	50/75/100/125/150	1.2/2.0
DRL-800	800	800	50/75/100/125/150	1.2/2.0
DRL-900	900	900	50/75/100/125/150	1.2/2.0
DRL-1050	1050	1050	50/75/100/125/150	1.2/2.0

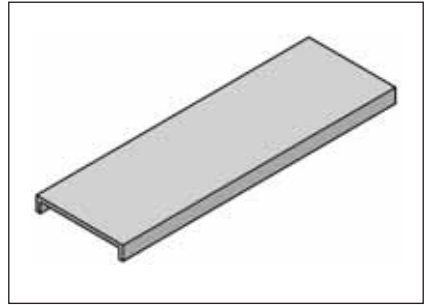


Ref.	W	H	T
------	---	---	---

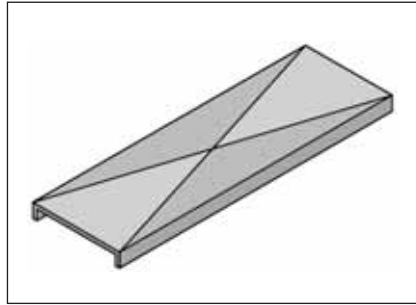
• To place orders fill in the following box:

**Cable Ladders Covers:**

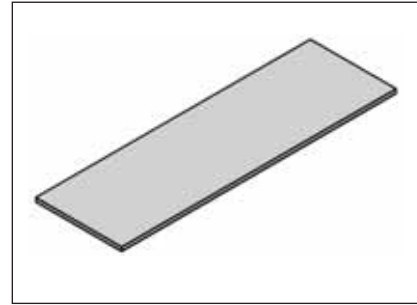
To order from covers simply add the cover designation to Any reference in the cable Ladders or the fittings tables.



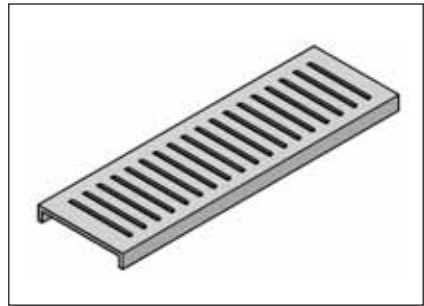
**C-101** Plain edged cover



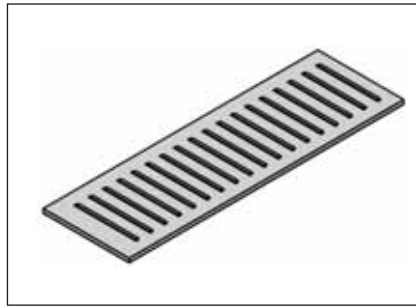
**C-102** Reinforced edged cover



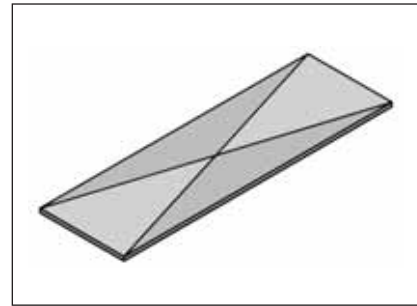
**C-103** Plain cover



**C-104** Ventilated edged cover

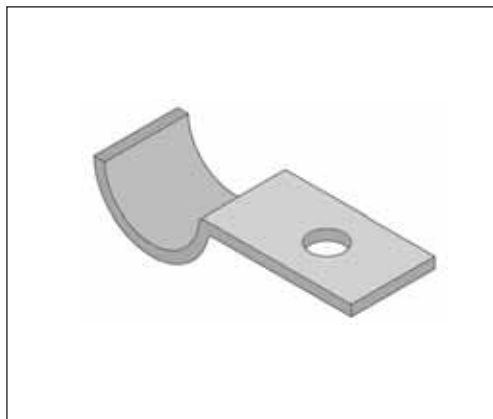


**C-105** Ventilated cover

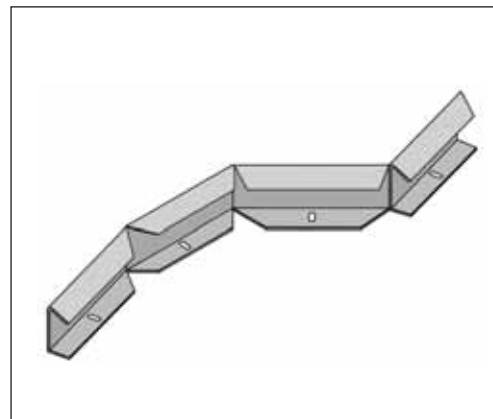


**C-106** Reinforced plain cover

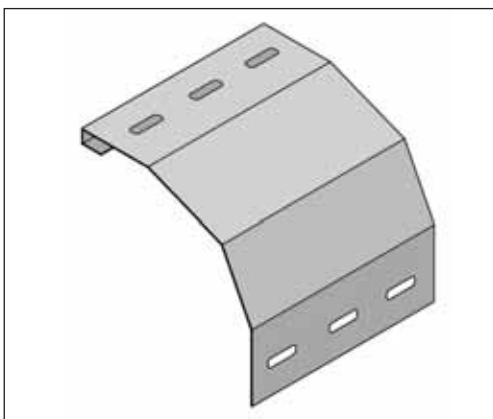
**Cable Ladders Accessories & Connectors:**



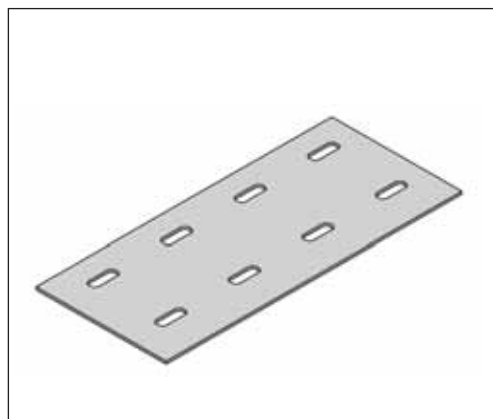
**AL-101** Barrier clip



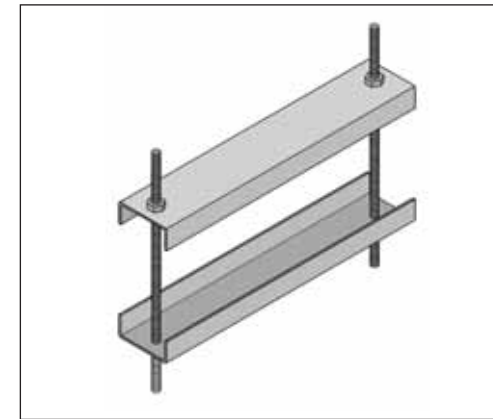
**AL-102** Bendable divider



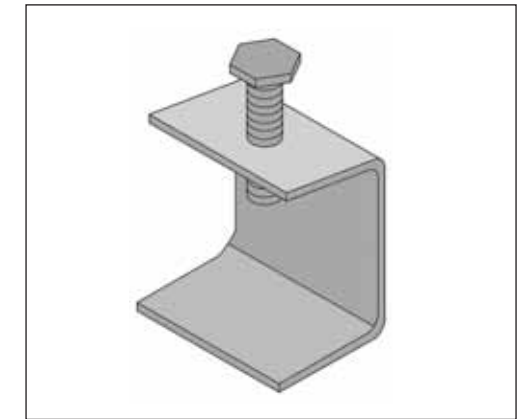
**AL-103** Drop out



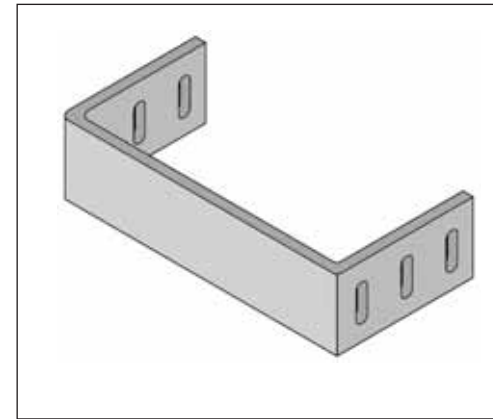
**AL-104** Fish plate



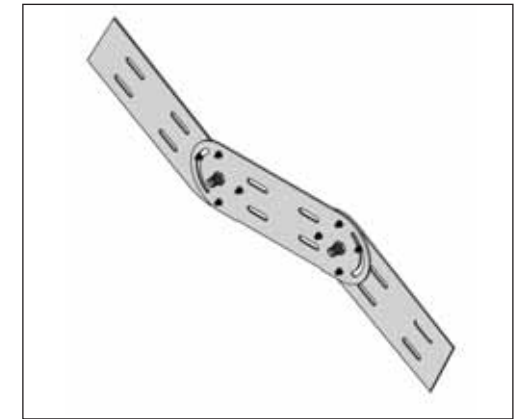
**AL-105** Double cover clamp



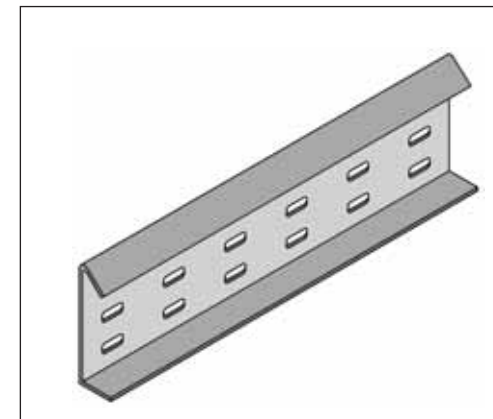
**AL-106** Cover clamp



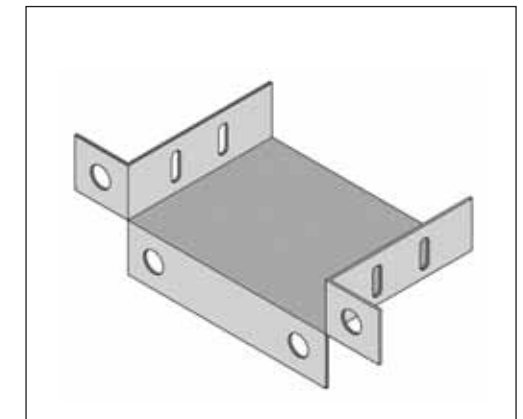
**AL-107** Blend end plate



**AL-108** Dynamic elbow



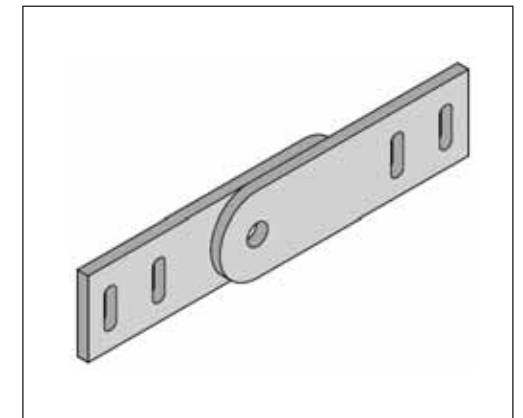
**AL-109** Standard connector



**AL-110** Box connector



**AL-111** Bonding jumper

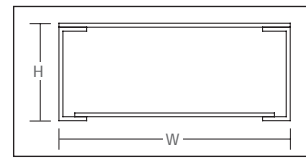
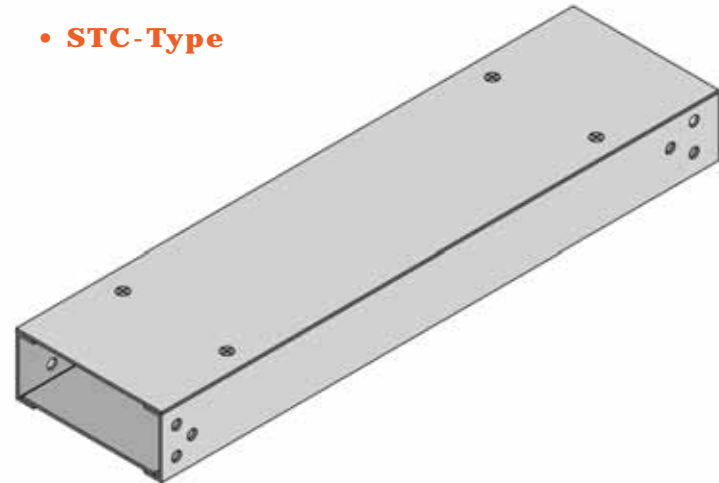


**AL-112** Adjustable connector

### Cable Trunking Systems:

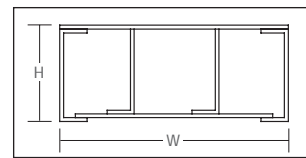
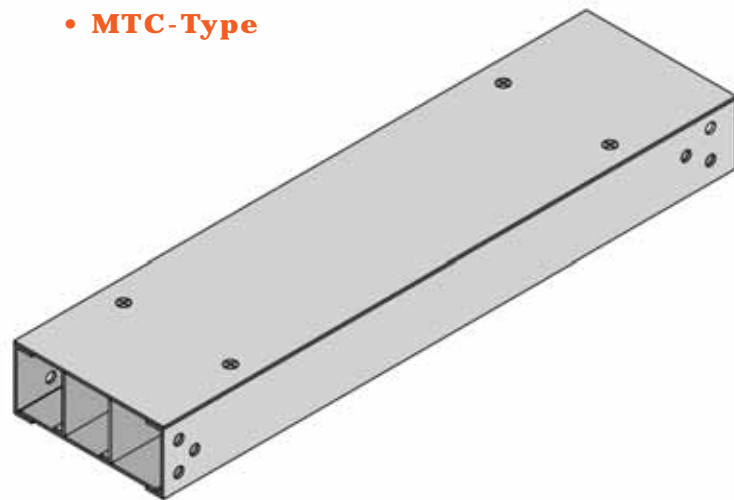
TMI Trunking system is available in single double and multiple compartments with flat and flanged covers that is fixed with screws, TMI offers tailor made trunks with different pre-coating material like Epoxy or powder coating, All items mentioned below conforms to NEMA VE-1 standards.

#### • STC-Type



REFERENCE	SIZE mm WxH	LENGTH mm	THICKNESS mm
STC-55	50X50	2440/3000	1.2/1.5/2.0
STC-57	50X75	2440/3000	1.2/1.5/2.0
STC-77	70X70	2440/3000	1.2/1.5/2.0
STC-105	100X50	2440/3000	1.2/1.5/2.0
STC-107	100X75	2440/3000	1.2/1.5/2.0
STC-155	150X50	2440/3000	1.2/1.5/2.0
STC-157	150X75	2440/3000	1.2/1.5/2.0
STC-1010	100X100	2440/3000	1.2/1.5/2.0
STC-1510	150X100	2440/3000	1.2/1.5/2.0
STC-1515	150X150	2440/3000	1.2/1.5/2.0

#### • MTC-Type



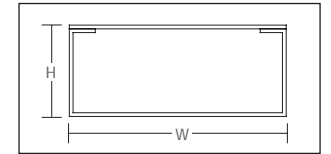
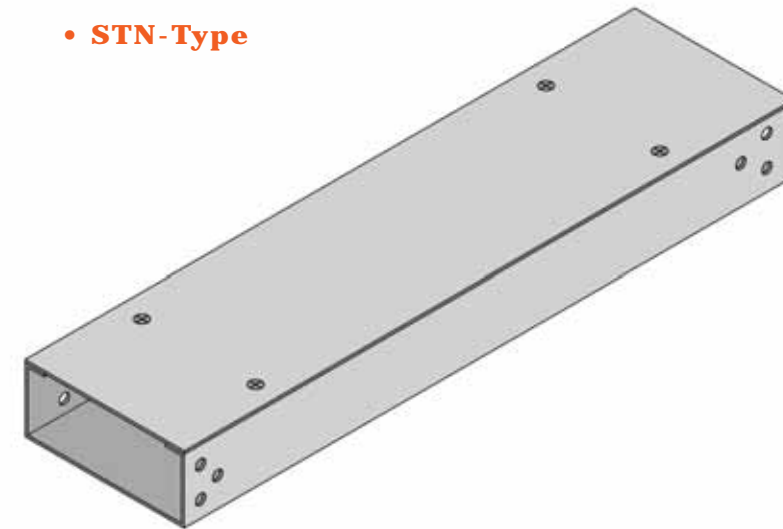
REFERENCE	SIZE mm WxH	LENGTH mm	THICKNESS mm
MTC-55	50X50	2440/3000	1.2/1.5/2.0
MTC-57	50X75	2440/3000	1.2/1.5/2.0
MTC-77	70X70	2440/3000	1.2/1.5/2.0
MTC-105	100X50	2440/3000	1.2/1.5/2.0
MTC-107	100X75	2440/3000	1.2/1.5/2.0
MTC-155	150X50	2440/3000	1.2/1.5/2.0
MTC-157	150X75	2440/3000	1.2/1.5/2.0
MTC-1010	100X100	2440/3000	1.2/1.5/2.0
MTC-1510	150X100	2440/3000	1.2/1.5/2.0
MTC-1515	150X150	2440/3000	1.2/1.5/2.0

Mention number of compartments required before the reference code

Ref.	L	T
------	---	---

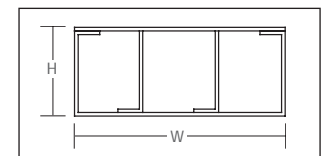
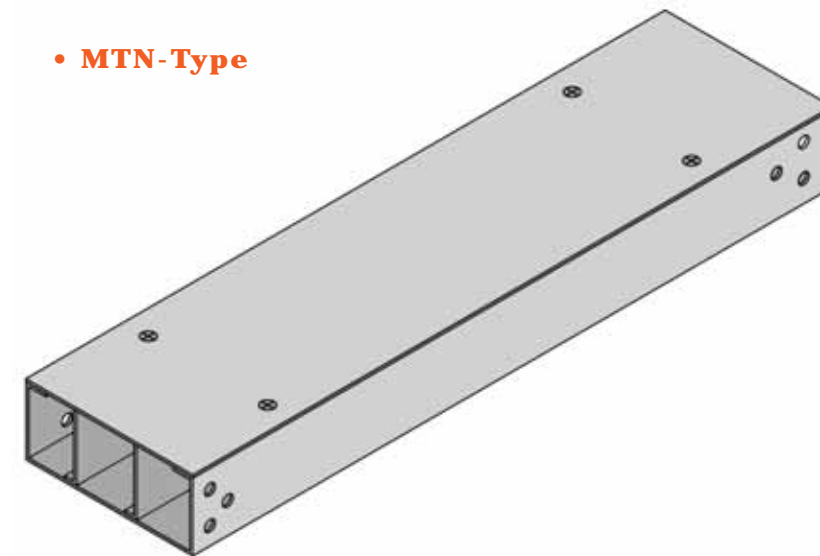
• To place orders fill in the following box:  
• Special heights & thicknesses are available upon request

#### • STN-Type



REFERENCE	SIZE mm WxH	LENGTH mm	THICKNESS mm
STN-55	50X50	2440/3000	1.2/1.5/2.0
STN-57	50X75	2440/3000	1.2/1.5/2.0
STN-77	70X70	2440/3000	1.2/1.5/2.0
STN-105	100X50	2440/3000	1.2/1.5/2.0
STN-107	100X75	2440/3000	1.2/1.5/2.0
STN-155	150X50	2440/3000	1.2/1.5/2.0
STN-157	150X75	2440/3000	1.2/1.5/2.0
STN-1010	100X100	2440/3000	1.2/1.5/2.0
STN-1510	150X100	2440/3000	1.2/1.5/2.0
STN-1515	150X150	2440/3000	1.2/1.5/2.0

#### • MTN-Type



REFERENCE	SIZE mm WxH	LENGTH mm	THICKNESS mm
MTN-55	50X50	2440/3000	1.2/1.5/2.0
MTN-57	50X75	2440/3000	1.2/1.5/2.0
MTN-77	70X70	2440/3000	1.2/1.5/2.0
MTN-105	100X50	2440/3000	1.2/1.5/2.0
MTN-107	100X75	2440/3000	1.2/1.5/2.0
MTN-155	150X50	2440/3000	1.2/1.5/2.0
MTN-157	150X75	2440/3000	1.2/1.5/2.0
MTN-1010	100X100	2440/3000	1.2/1.5/2.0
MTN-1510	150X100	2440/3000	1.2/1.5/2.0
MTN-1515	150X150	2440/3000	1.2/1.5/2.0

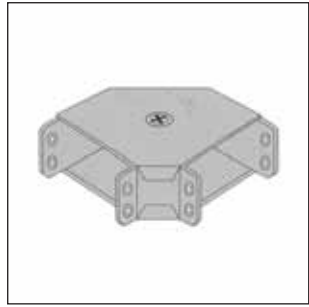
Mention number of compartments required before the reference code

Ref.	L	T
------	---	---

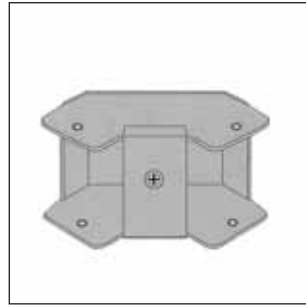
• To place orders fill in the following box:  
• Special heights & thicknesses are available upon request

### Cable Trunking Fittings:

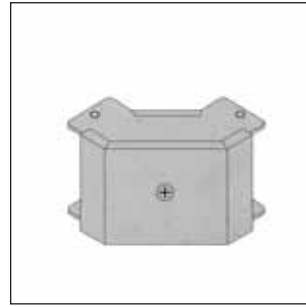
• 90° Bend



TF-101 Top cover

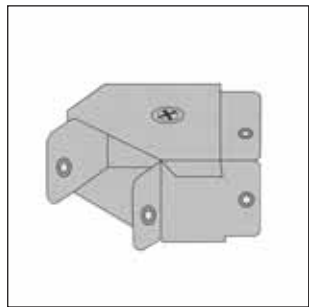


TF-102 Inside cover

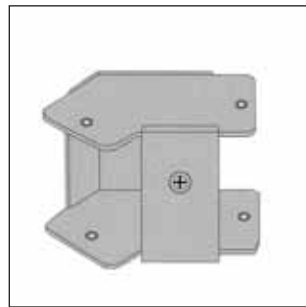


TF-103 Outside cover

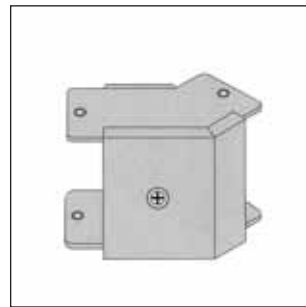
• 45° Bend



TF-104 Top cover

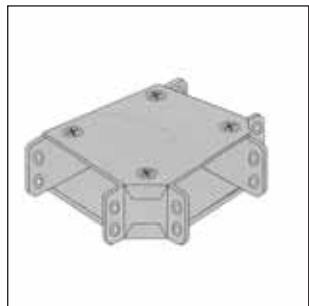


TF-105 Inside cover

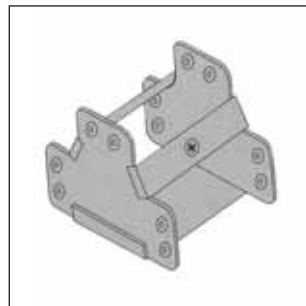


TF-106 Outside cover

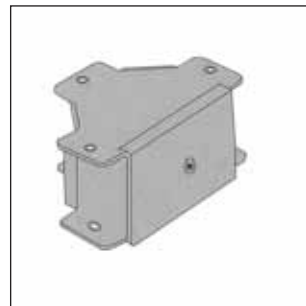
• Cross Tee



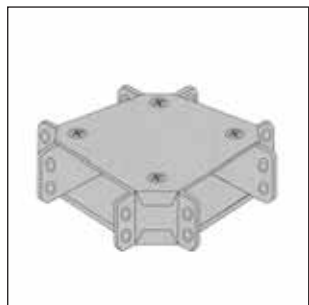
TF-107 Top cover



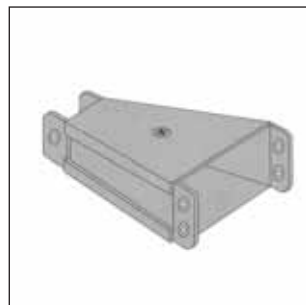
TF-108 Inside cover



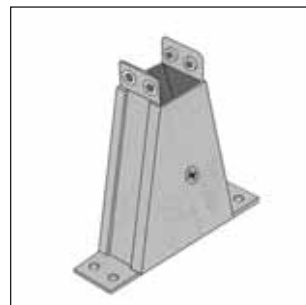
TF-109 Outside cover



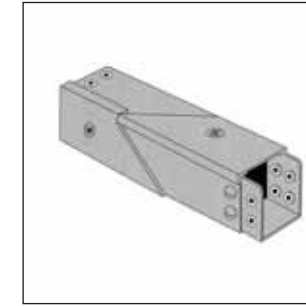
TF-110 Cross top cover



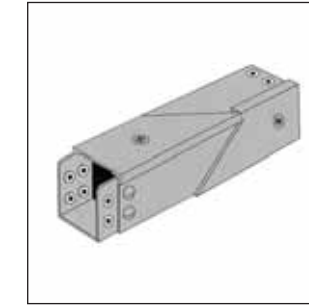
TF-111 Reducer straight



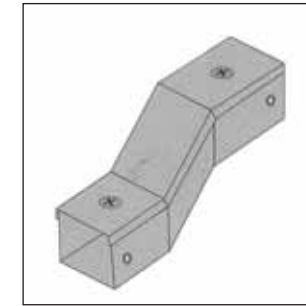
TF-112 Ply mouth



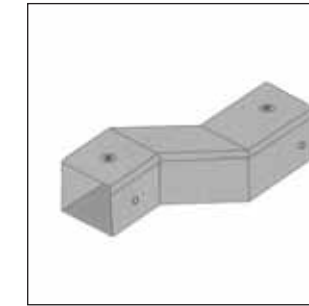
TF-113 Face off left hand



TF-114 Face off right hand

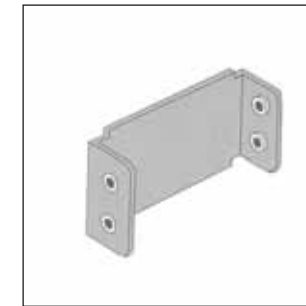


TF-115 Offset vertical

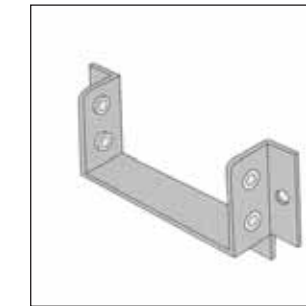


TF-116 Offset horizontal

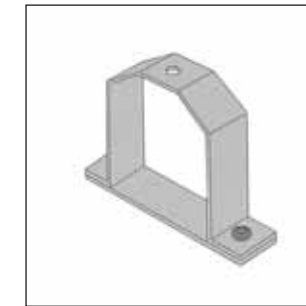
### Cable Trunking Accessories & Connectors:



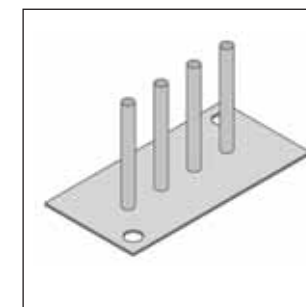
TC-101 Blind end



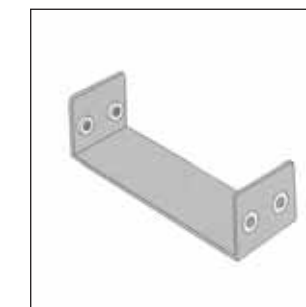
TC-102 Box connector



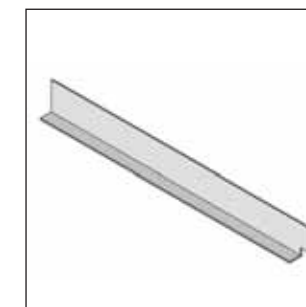
TC-103 Hanger



TC-104 Pin racks



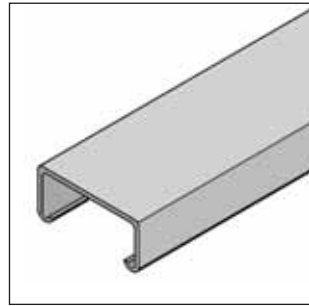
TC-105 Standard connector



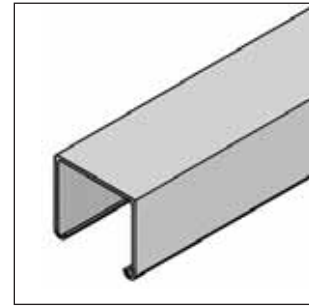
TC-106 Separator

## Metal Framing Systems:

### • Plain Type



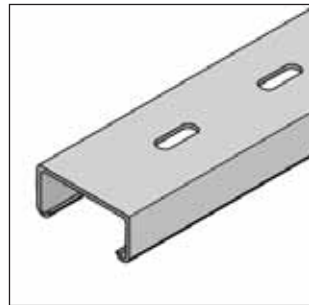
REFERENCE	WIDTH mm	LENGTH mm	HEIGHT mm	THICKNESS mm
SP-21	41	1000/2000/3000	21	2.5
SP-41	41	1000/2000/3000	41	2.5



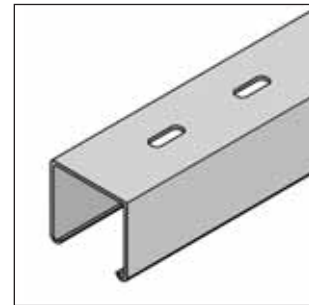
SP-41

SP-21

### • Slotted Type



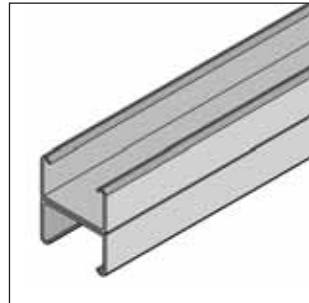
REFERENCE	WIDTH mm	LENGTH mm	HEIGHT mm	THICKNESS mm
SS-21	41	1000/2000/3000	21	2.5
SS-41	41	1000/2000/3000	41	2.5



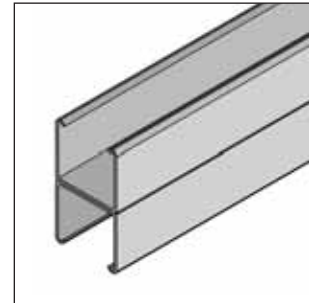
SS-41

SS-21

### • Double Plain Type



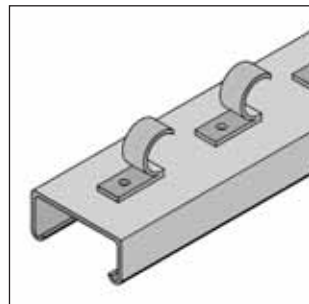
REFERENCE	WIDTH mm	LENGTH mm	HEIGHT mm	THICKNESS mm
DSP-21	41	1000/2000/3000	21	2.5
DSP-41	41	1000/2000/3000	41	2.5



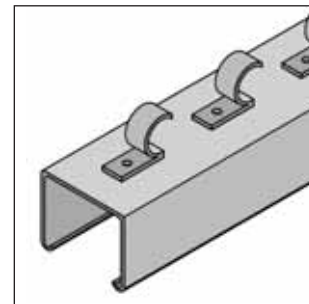
DSP-41

DSP-21

### • Concrete Channel Type

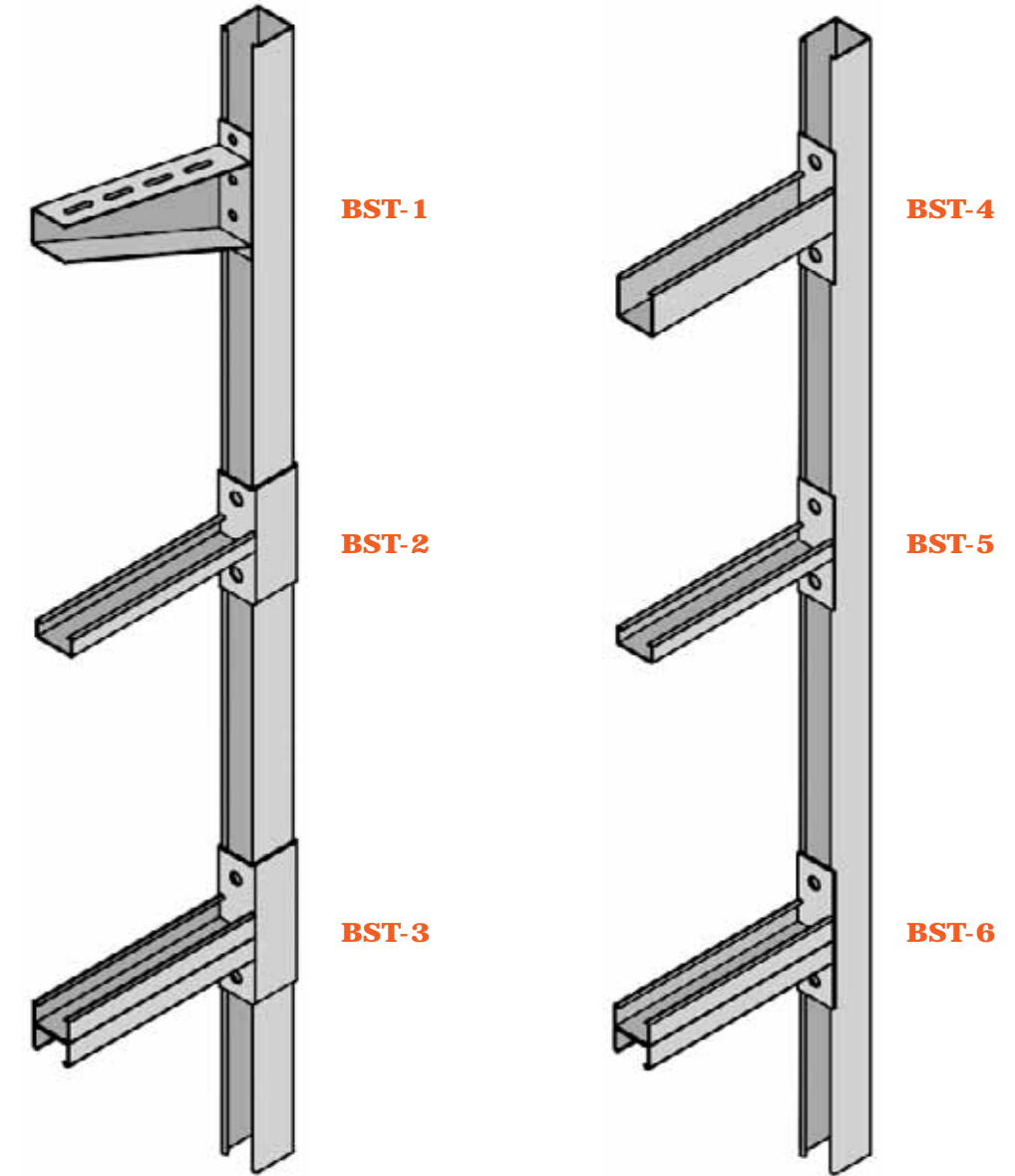


REFERENCE	WIDTH mm	LENGTH mm	HEIGHT mm	THICKNESS mm
SC-21	41	1000/2000/3000	21	2.5
SC-41	41	1000/2000/3000	41	2.5



SC-41

SC-21



BST-1

BST-4

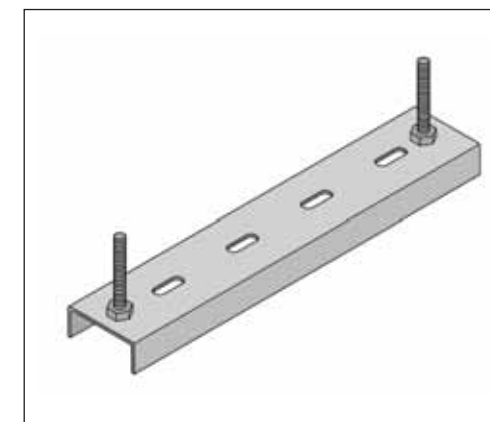
BST-2

BST-5

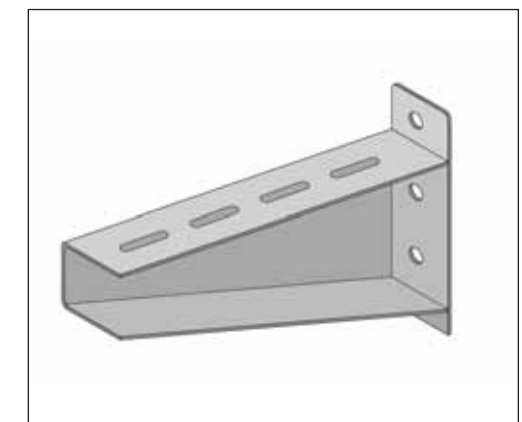
BST-3

BST-6

### Bracket Supports



SH Holder

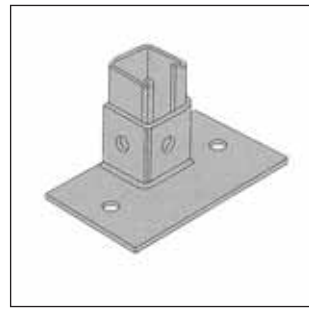


CS Cantilever arms

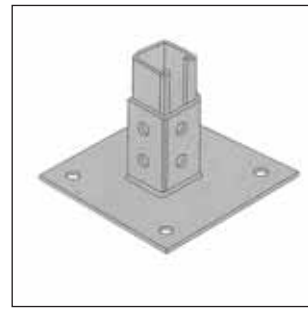
Ref.	W	L	H	T
------	---	---	---	---

• To place orders fill in the following box:

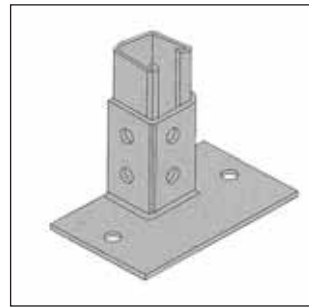
**Post Bases & I-Beam Support:**



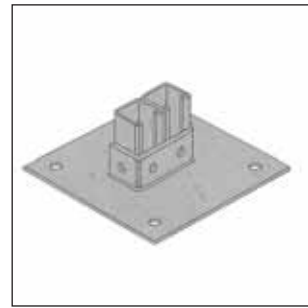
**PB-101** Base post 2 holes



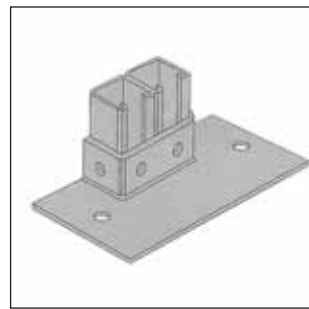
**PB-106** Base post 4 holes



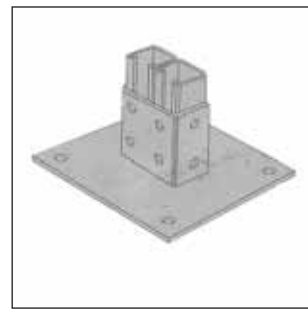
**PB-102** Base post 2 holes



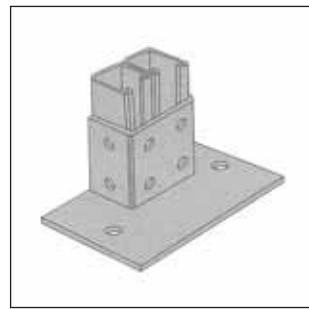
**PB-107** Base post 4 holes



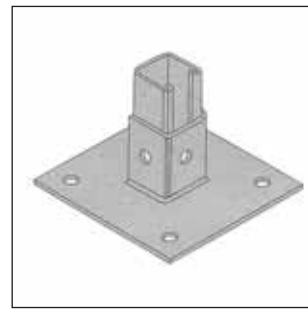
**PB-103** Base post 2 holes double channel



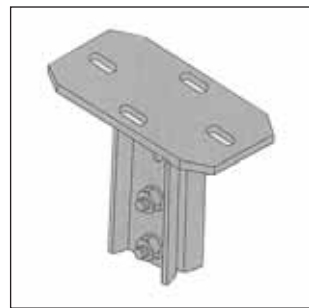
**PB-108** Base post 4 holes double channel



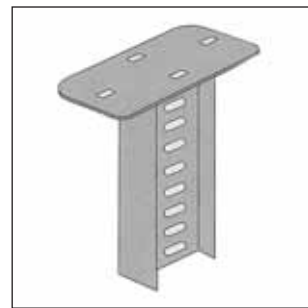
**PB-104** Base post 2 holes double channel



**PB-109** Base post 4 holes

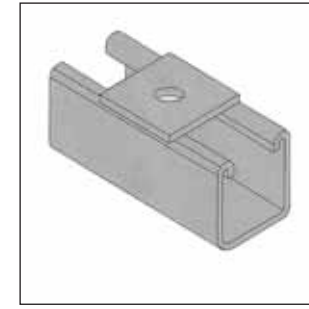


**IBS-105** Base-head plate

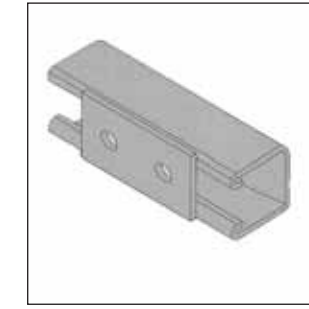


**IBS-110** Top head I-support

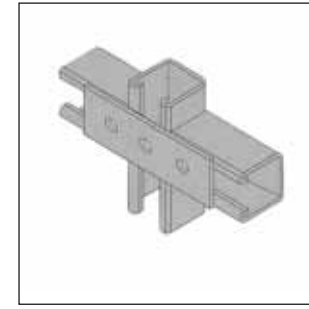
**Struts Fittings:**



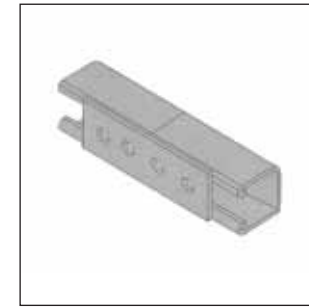
**SF-101** Square washer



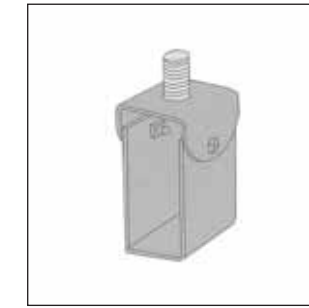
**SF-102** Double hole splice plate



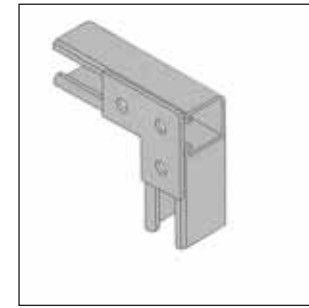
**SF-103** Triple hole splice plate



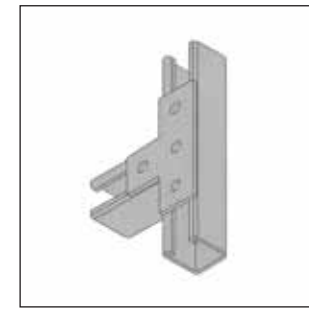
**SF-104** 4 hole splice plate



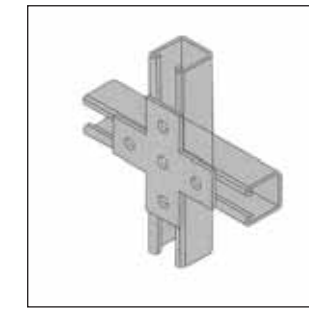
**SF-105** Channel hanger



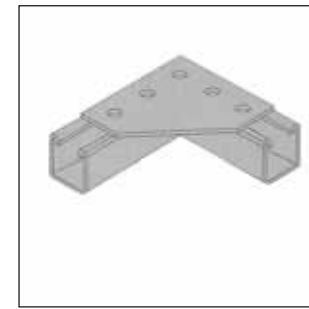
**SF-106** Corner plate



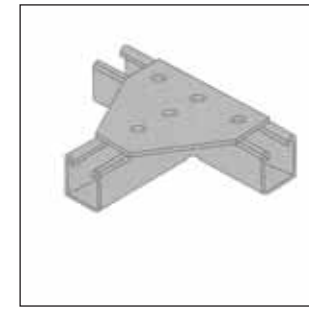
**SF-107** Tee plate



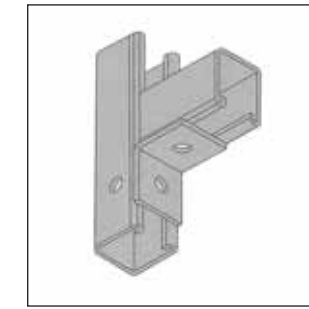
**SF-108** Cross plate



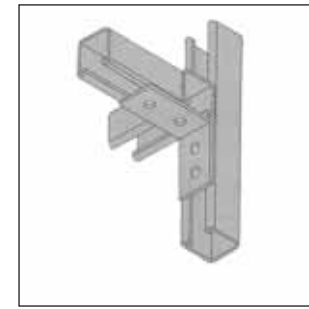
**SF-109** Gusset plate corner



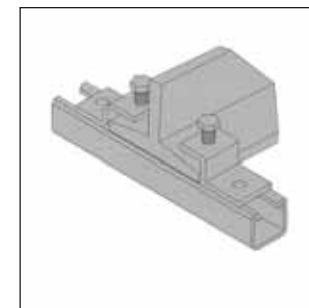
**SF-110** Gusset plate tee



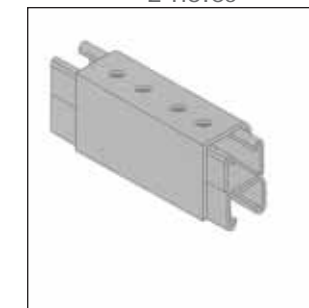
**SF-111** Corner angle 2 holes



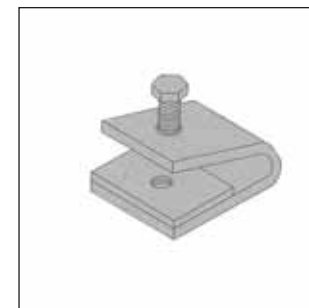
**SF-112** Corner angle 4 holes



**SF-113** Beam clamp Z type



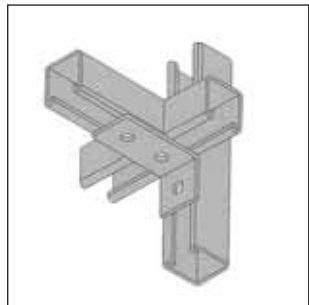
**SF-114** U-connector DSP



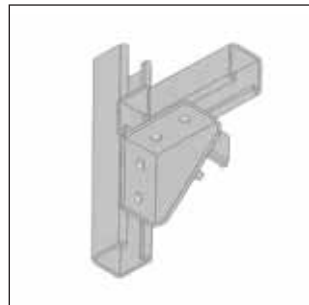
**SF-115** Beam clamp



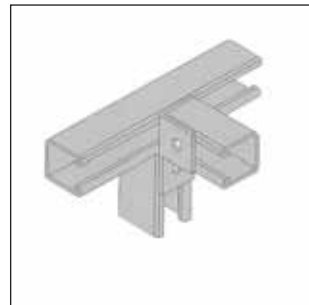
**Support System Fasteners:**



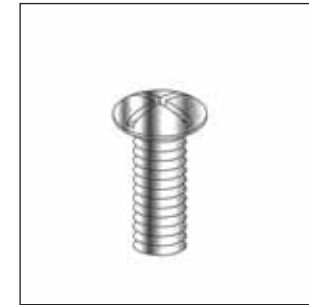
**SF-116** Corner angle 3 hole



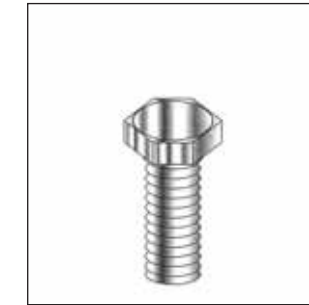
**SF-117** Universal bracket



**SF-118** Bend angle bracket



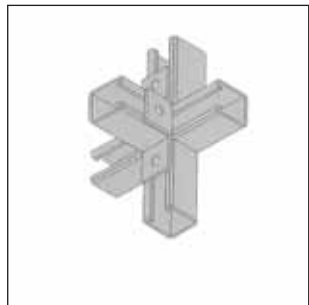
**F-1** Round head screw



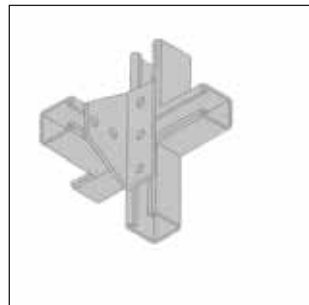
**F-2** Hexagon head screw



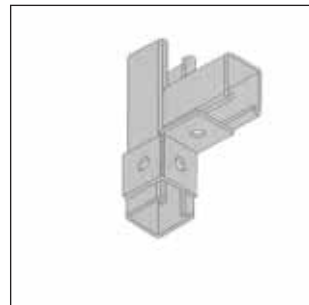
**F-3** Cone pointed screw



**SF-119** Tee angle



**SF-120** Gusset angle bracket



**SF-121** Corner connection right hand



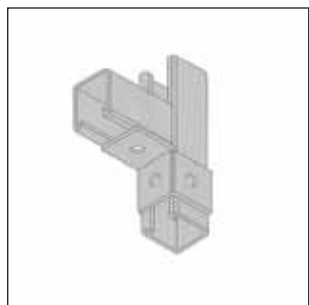
**F-4** Hex nut



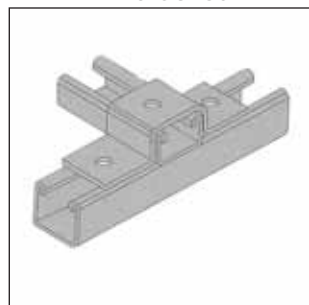
**F-5** Steel washer



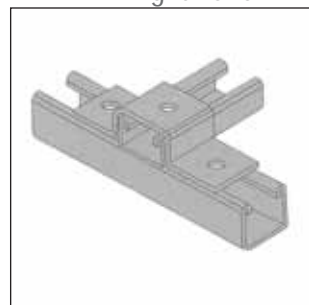
**F-6** Lock washer



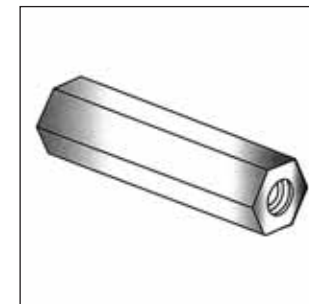
**SF-122** Corner connection left hand



**SF-123** U-clamp-21



**SF-124** U-clamp-41



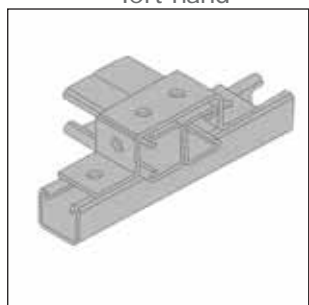
**F-7** Coupler nut



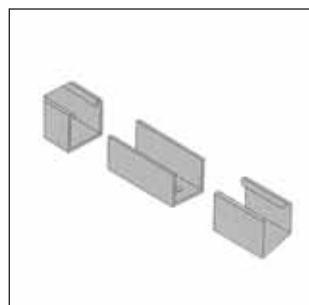
**F-8** Treaded rod



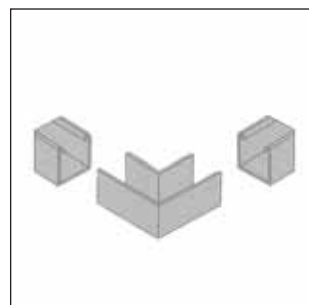
**F-9** U-Bolt



**SF-125** U-clamp-DSP



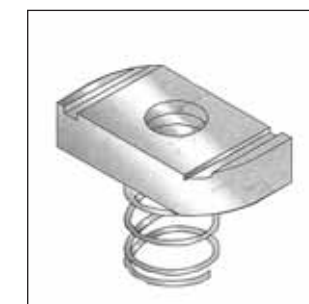
**SF-126** Strut connector



**SF-127** Strut connector 90°



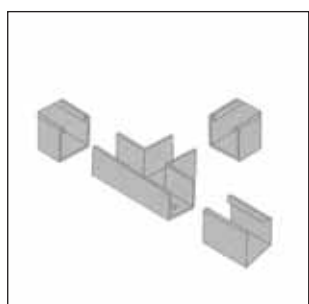
**F-10** Long spring nut



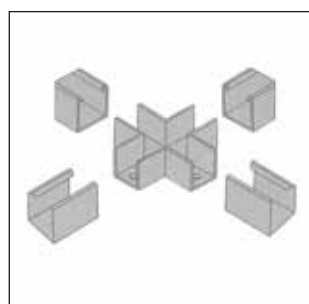
**F-11** Short spring nut



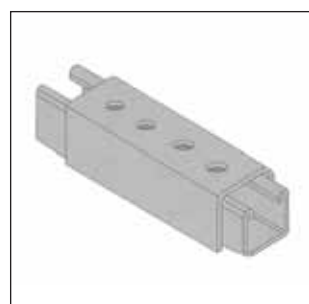
**F-12** No spring nut



**SF-128** Strut connector tee



**SF-129** Strut connector cross



**SF-130** U-connector